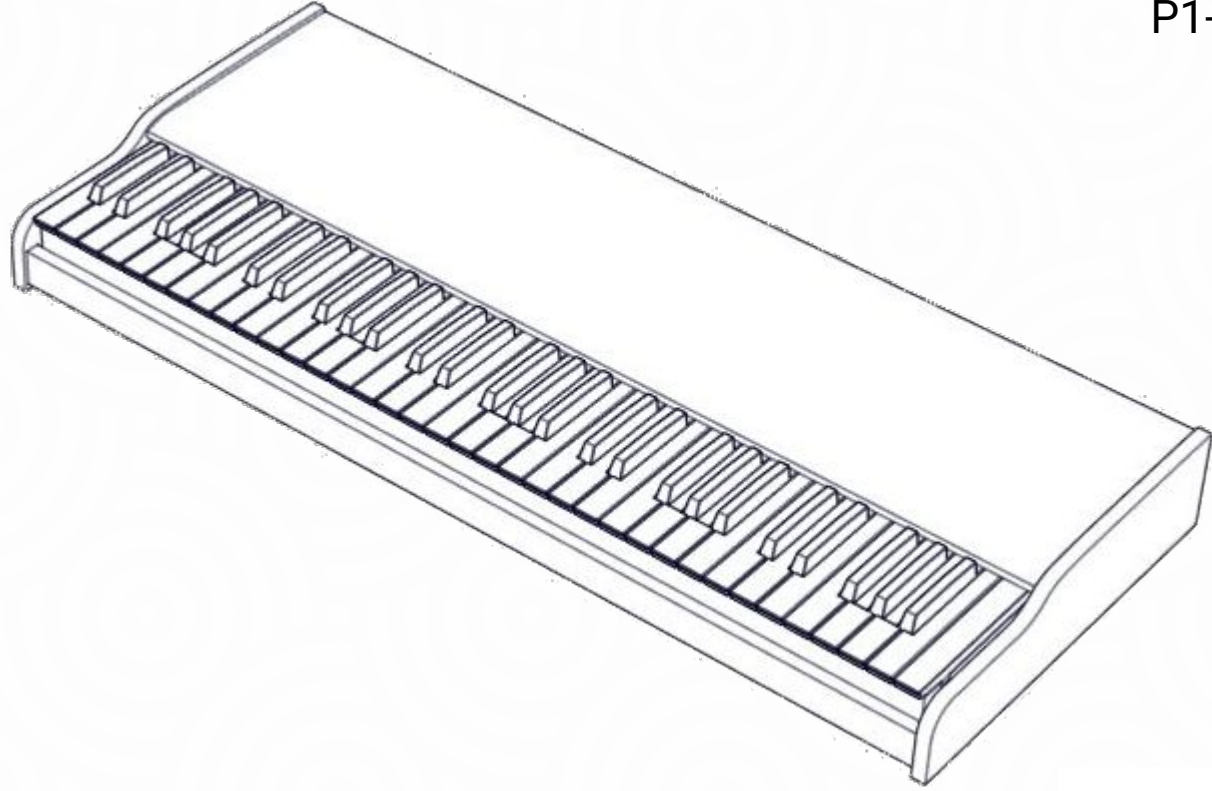


OPENPIPES

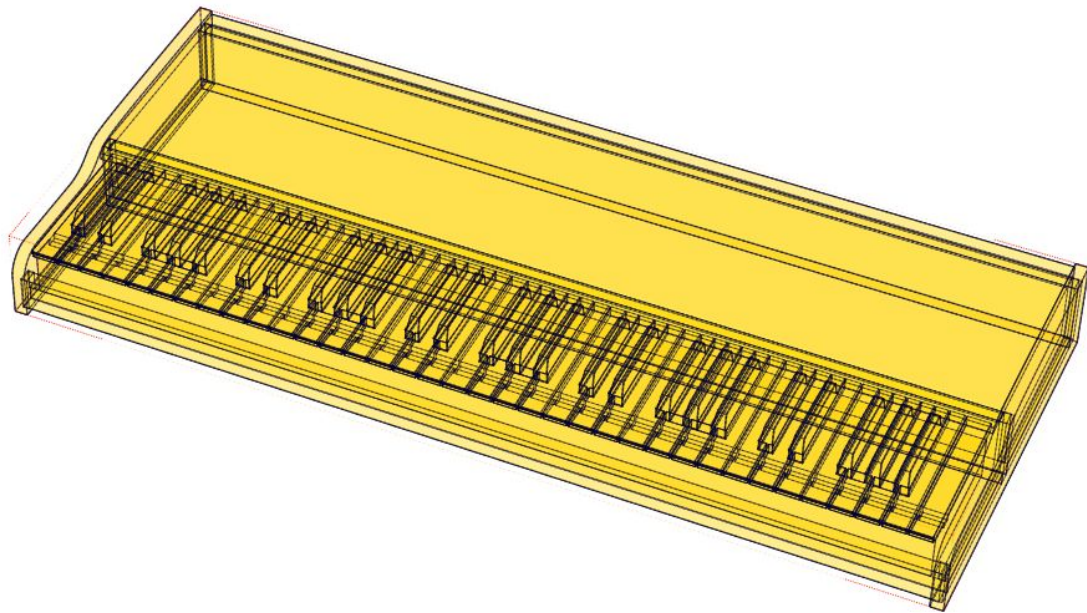
Pipe organ sound for the masses



Portative

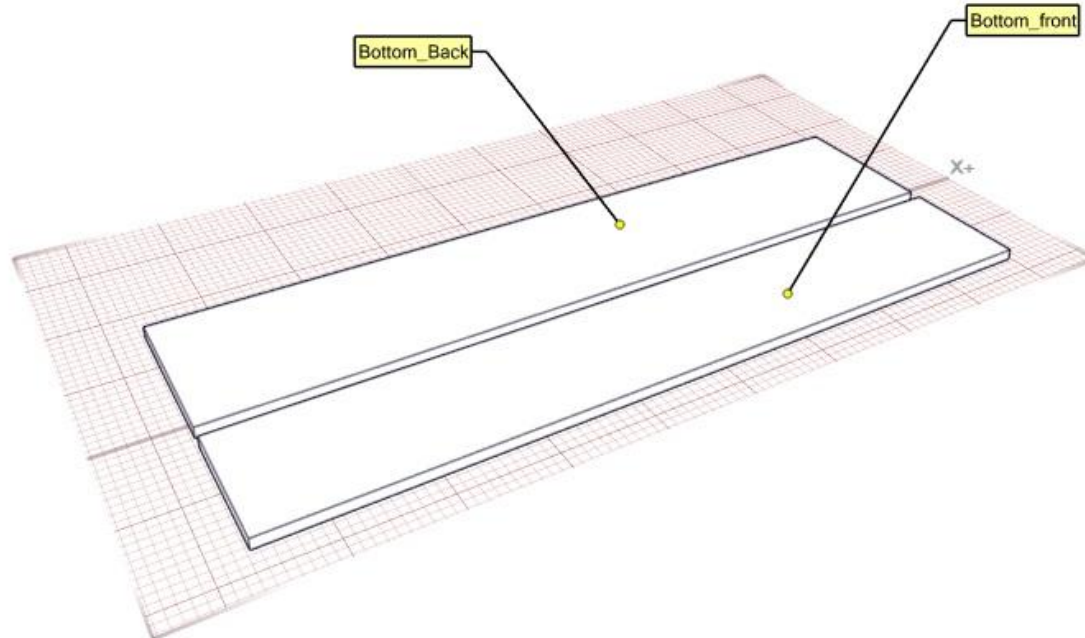
P1-CNC

Assembly



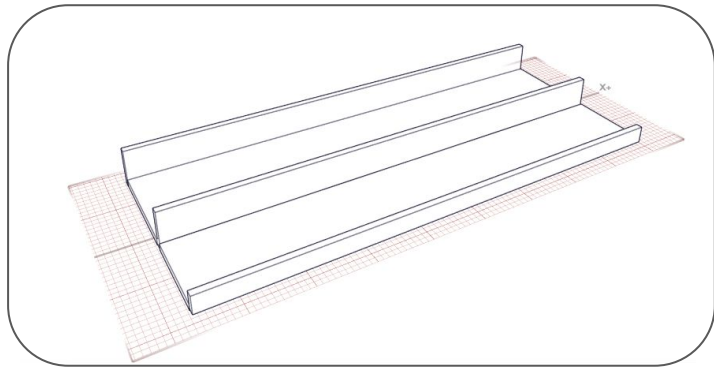
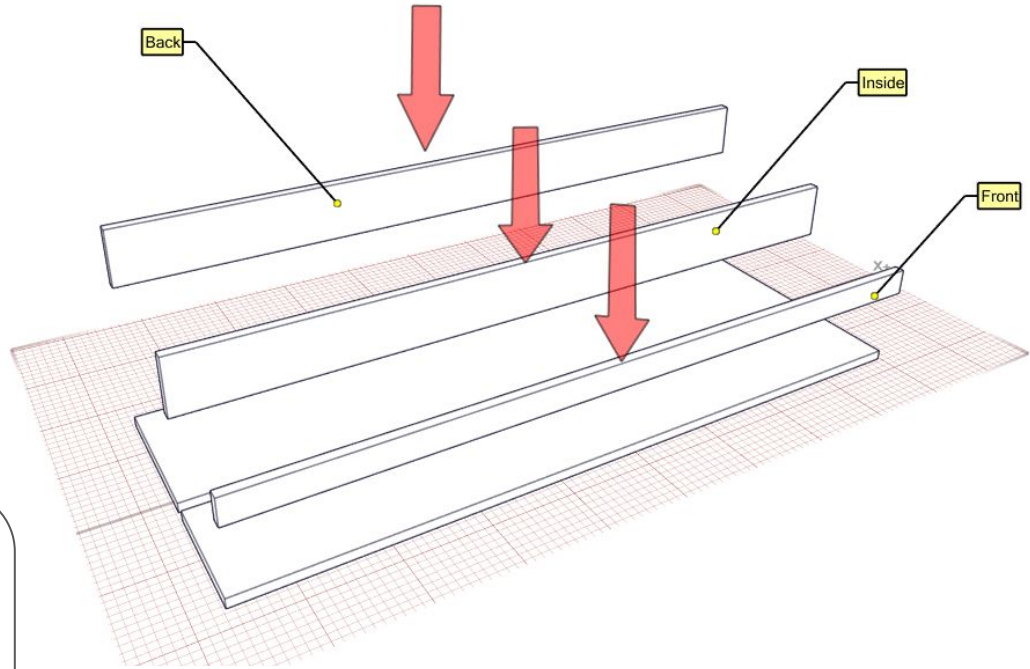
Assembly

Step 1



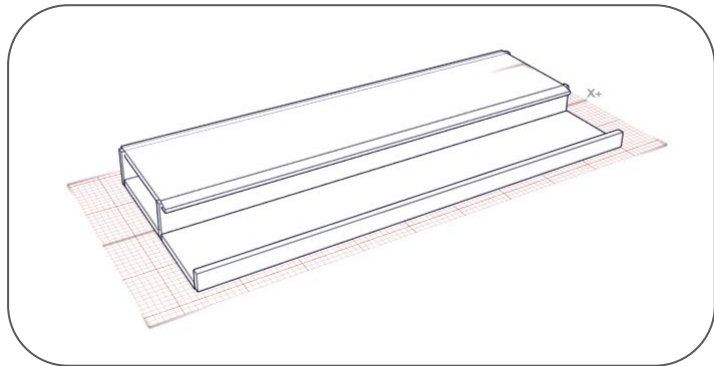
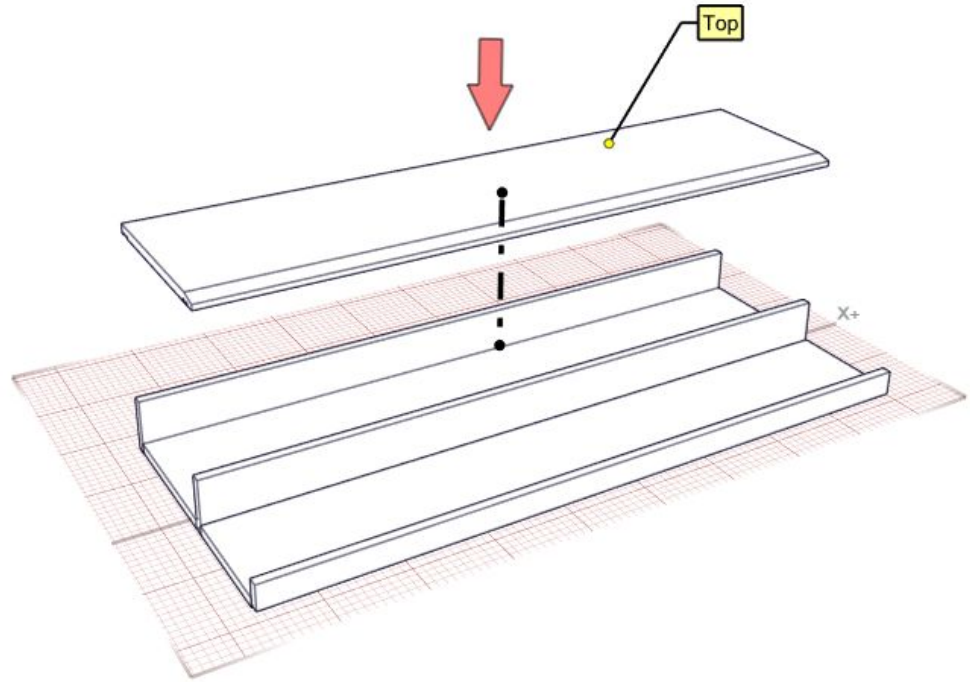
Assembly

Step 2



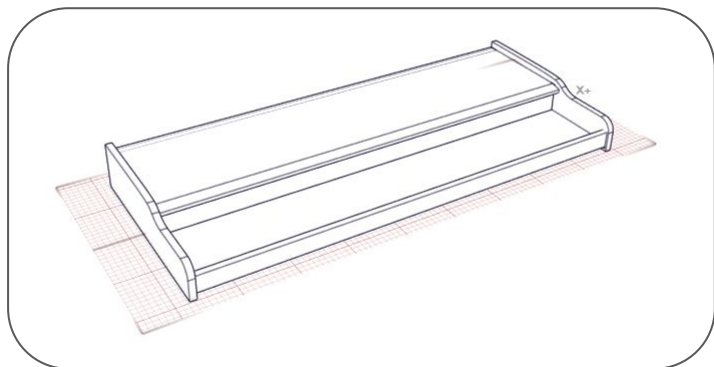
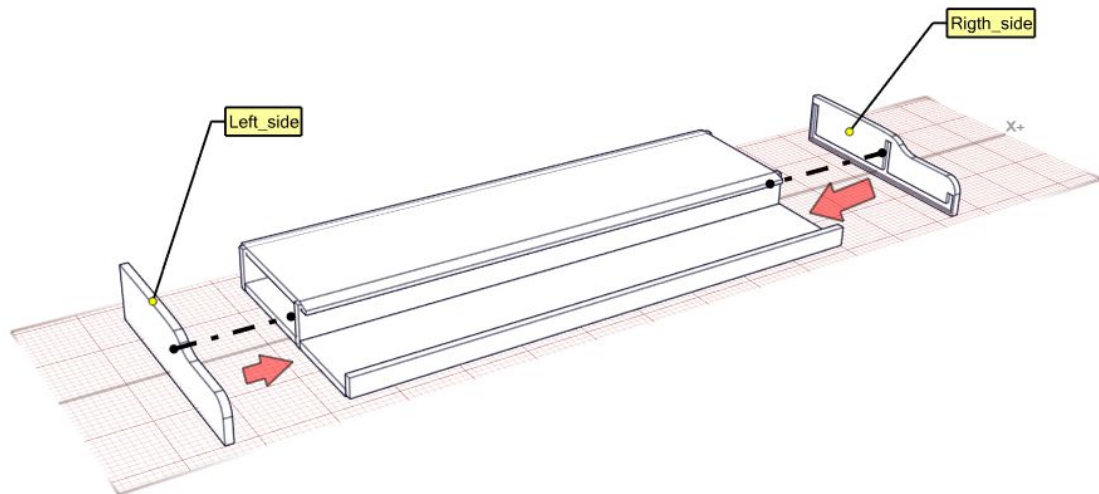
Assembly

Step 3



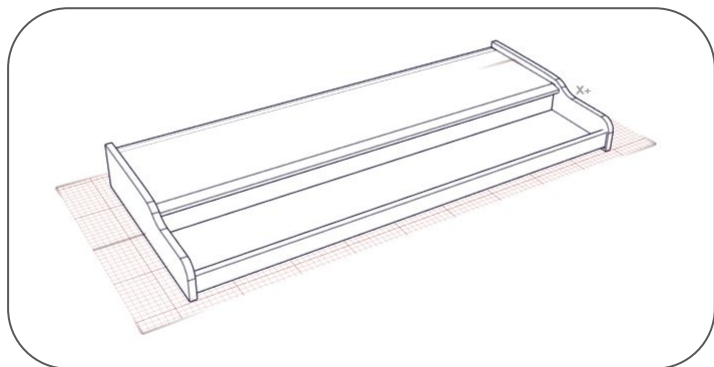
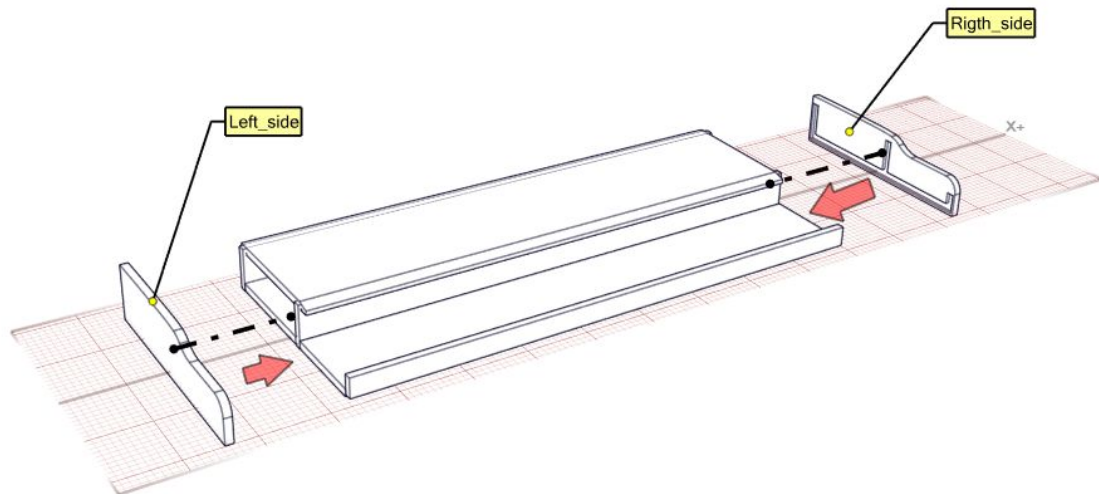
Assembly

Step 4



Assembly

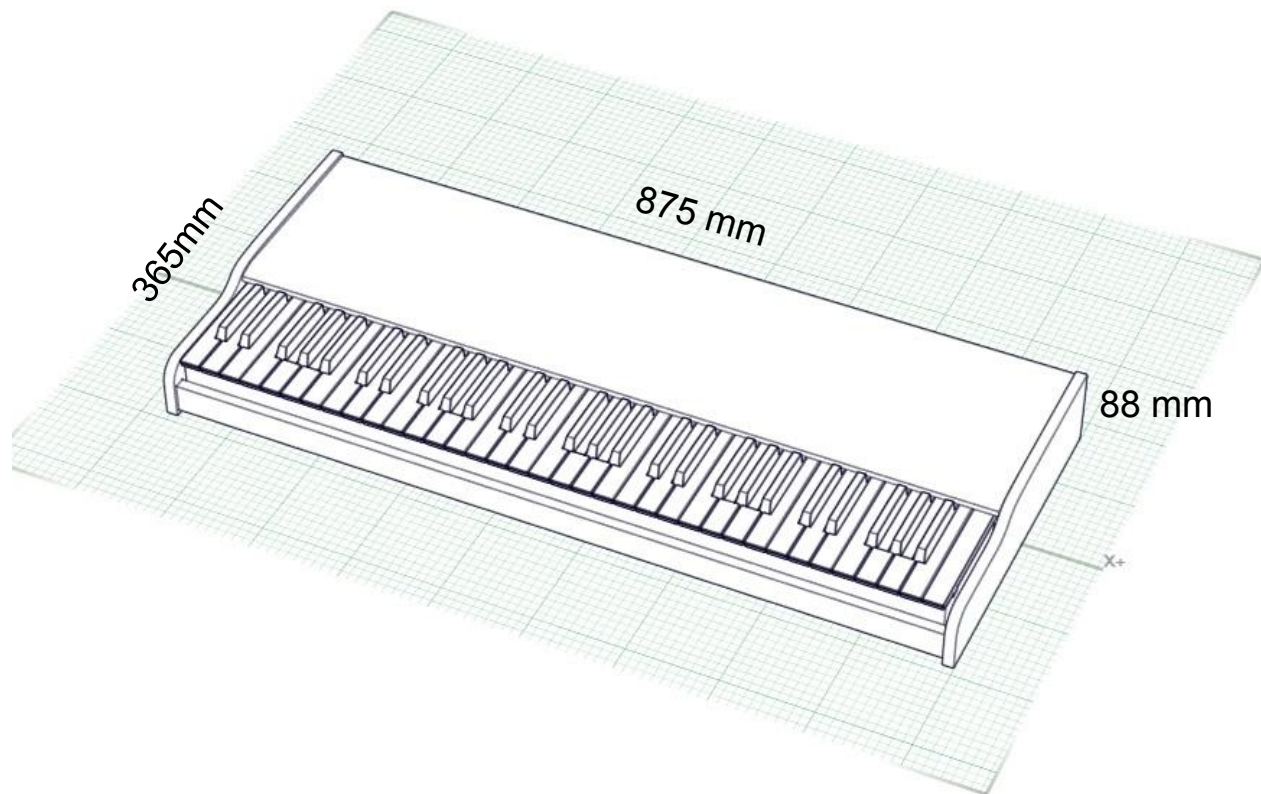
Step 4



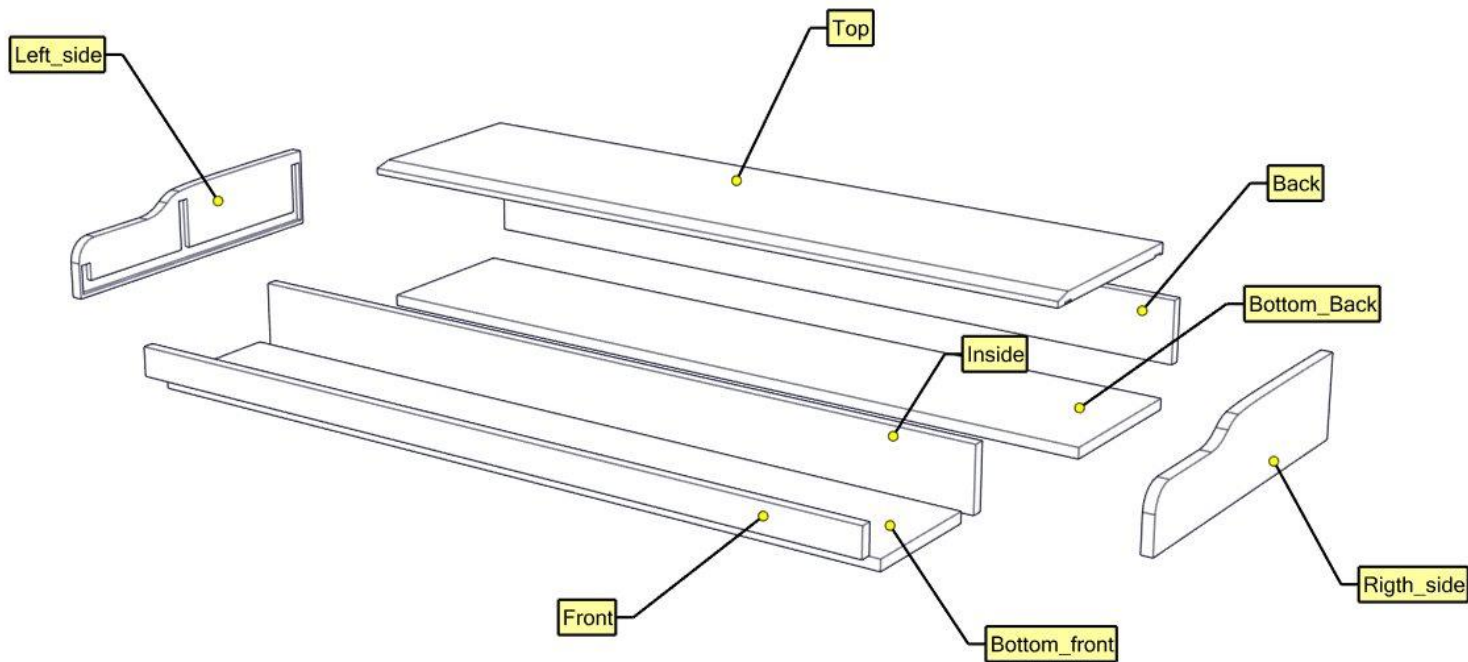
Dimensions

General dimensions, exploded views and cutting list

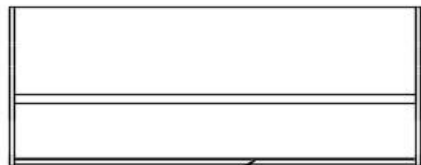
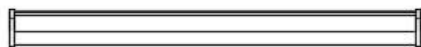
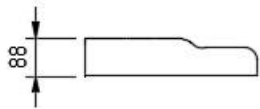
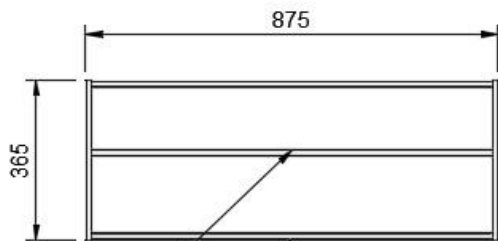
Dimensions



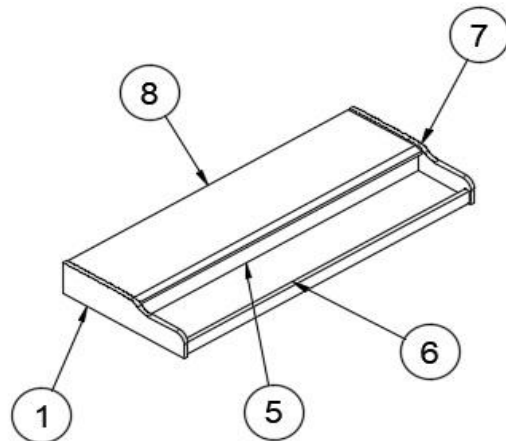
Exploded views



Cut list



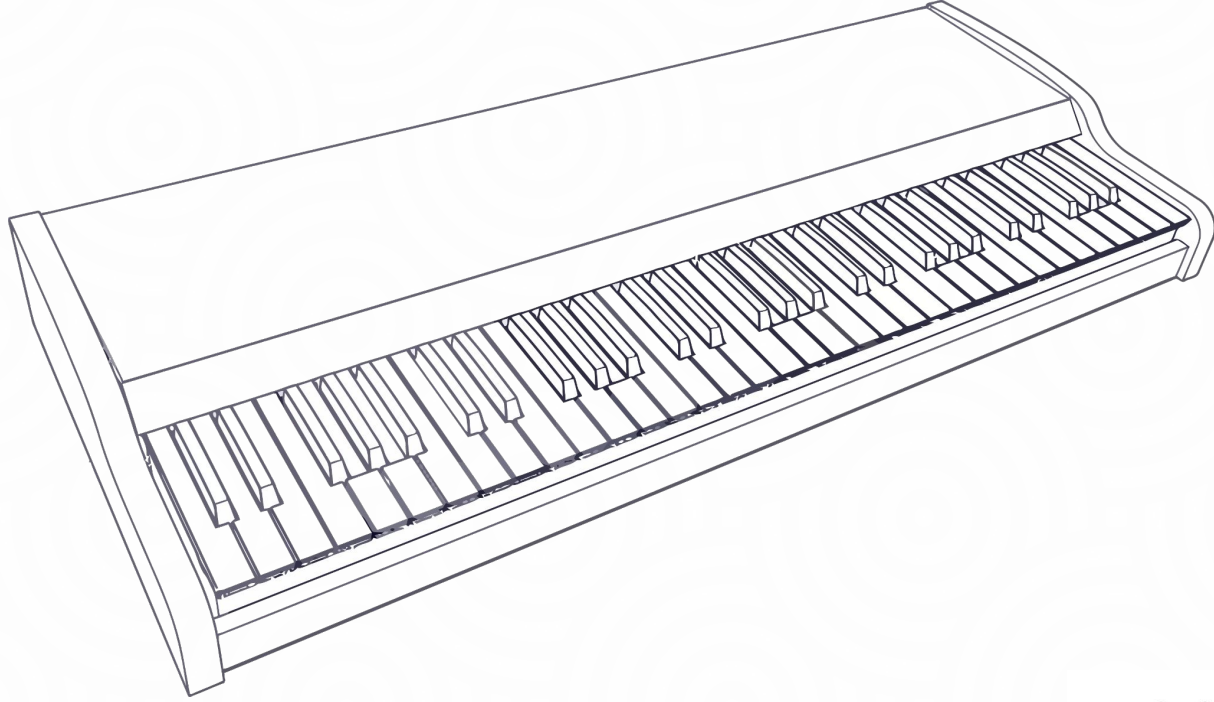
Parts List				
Item	Qty	Part Number	Description	Material
1	1	Left_side	365x88	Wood 12mm
2	1	Back	865x69	Wood 12mm
3	1	Bottom_Back	865x173	Wood 12mm
4	1	Inside	865x70	Wood 12mm
5	1	Bottom_front	865x141.5	Wood 12mm
6	1	Front	865x32	Wood 12mm
7	1	Righth_side	365x88	Wood 12mm
8	1	Top	850x220	Wood 12mm
9	1	Module keyboard		Steel



OPENPIPES.ORG

OPENPIPES

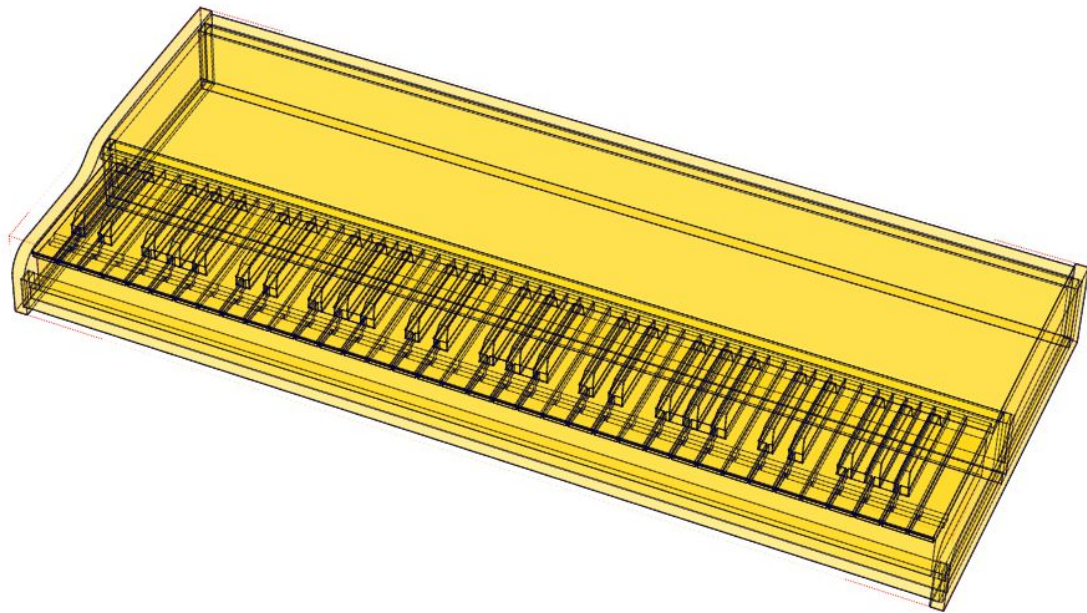
Pipe organ sound for the masses



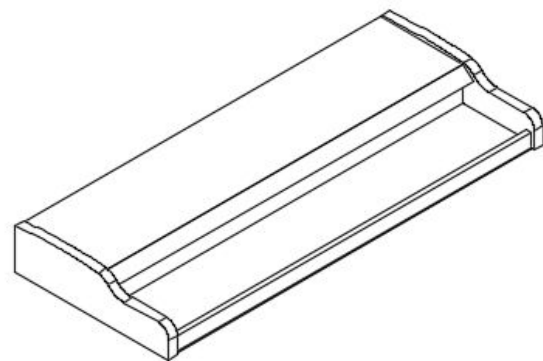
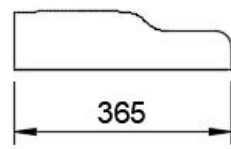
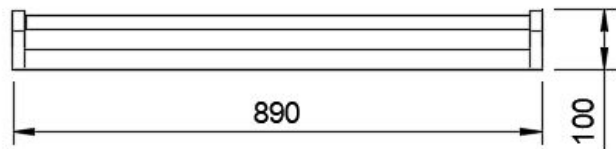
Portative

P1

Assembly

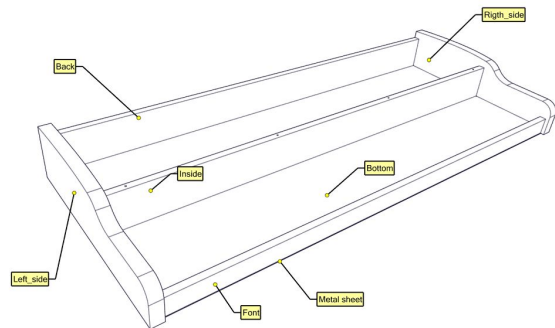
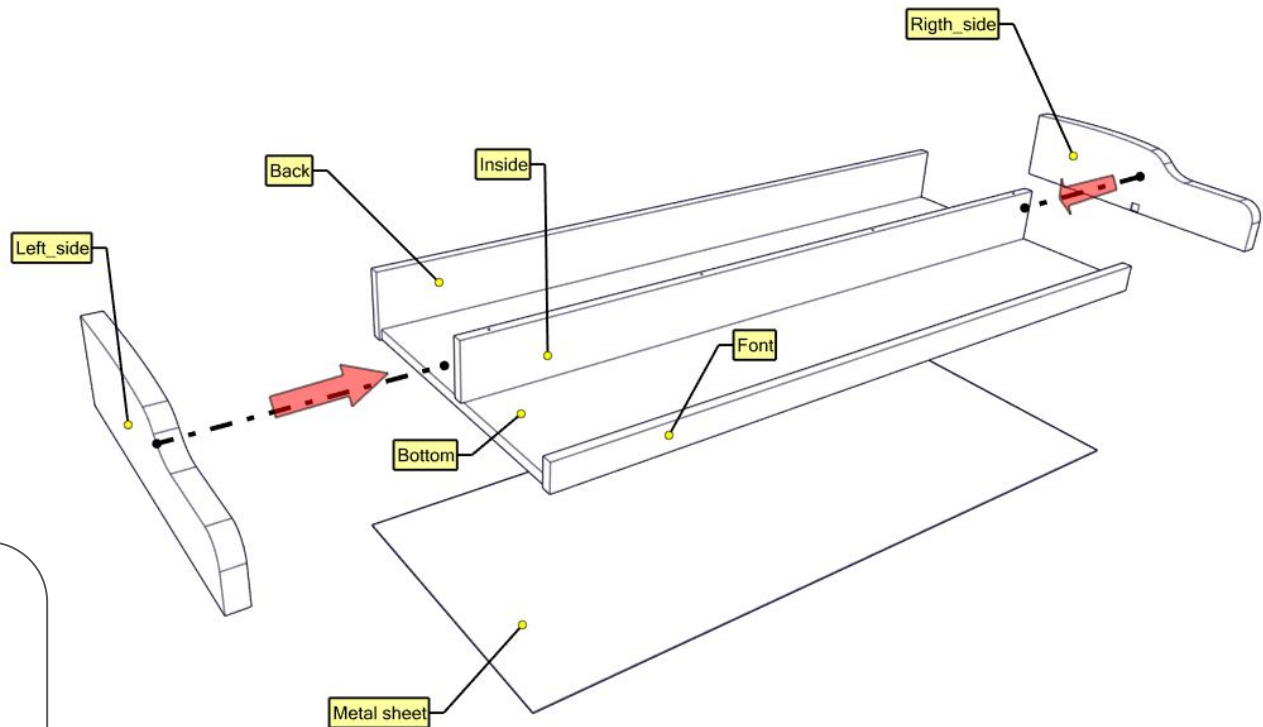


Dimensions



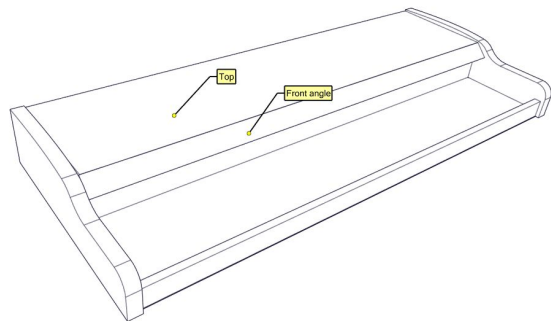
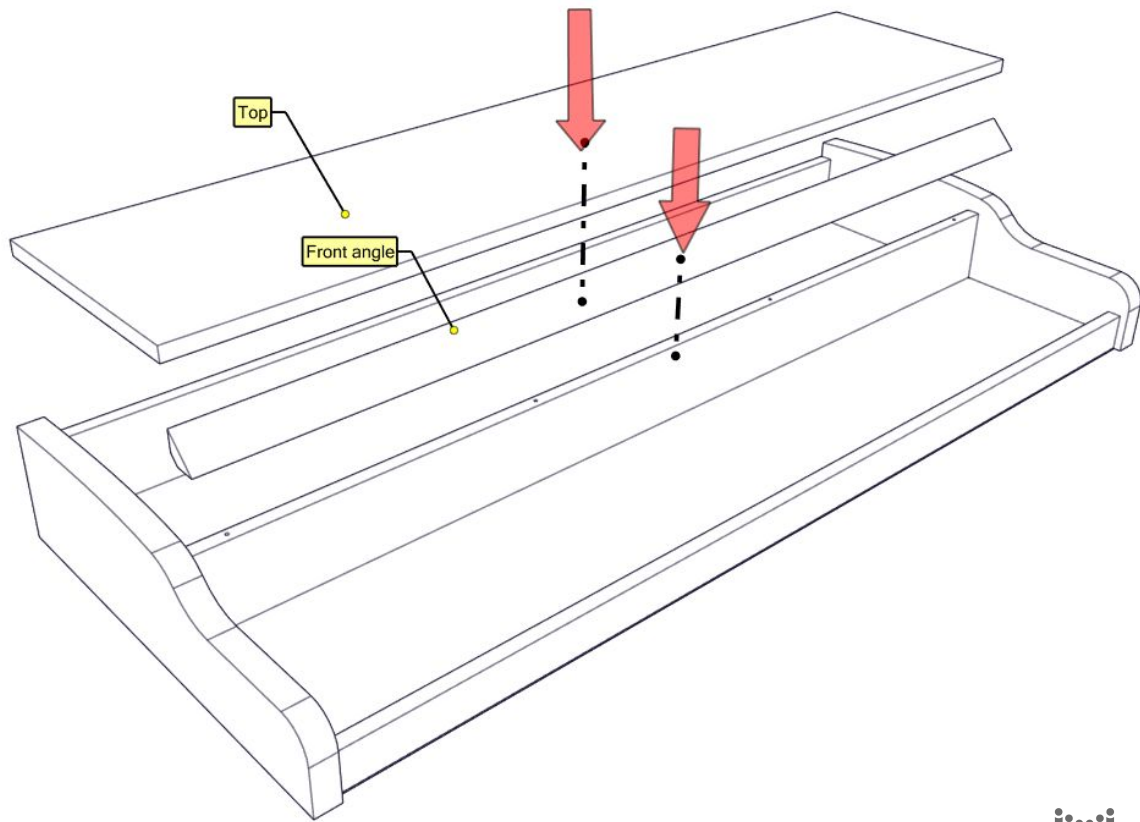
Assembly

Step 1

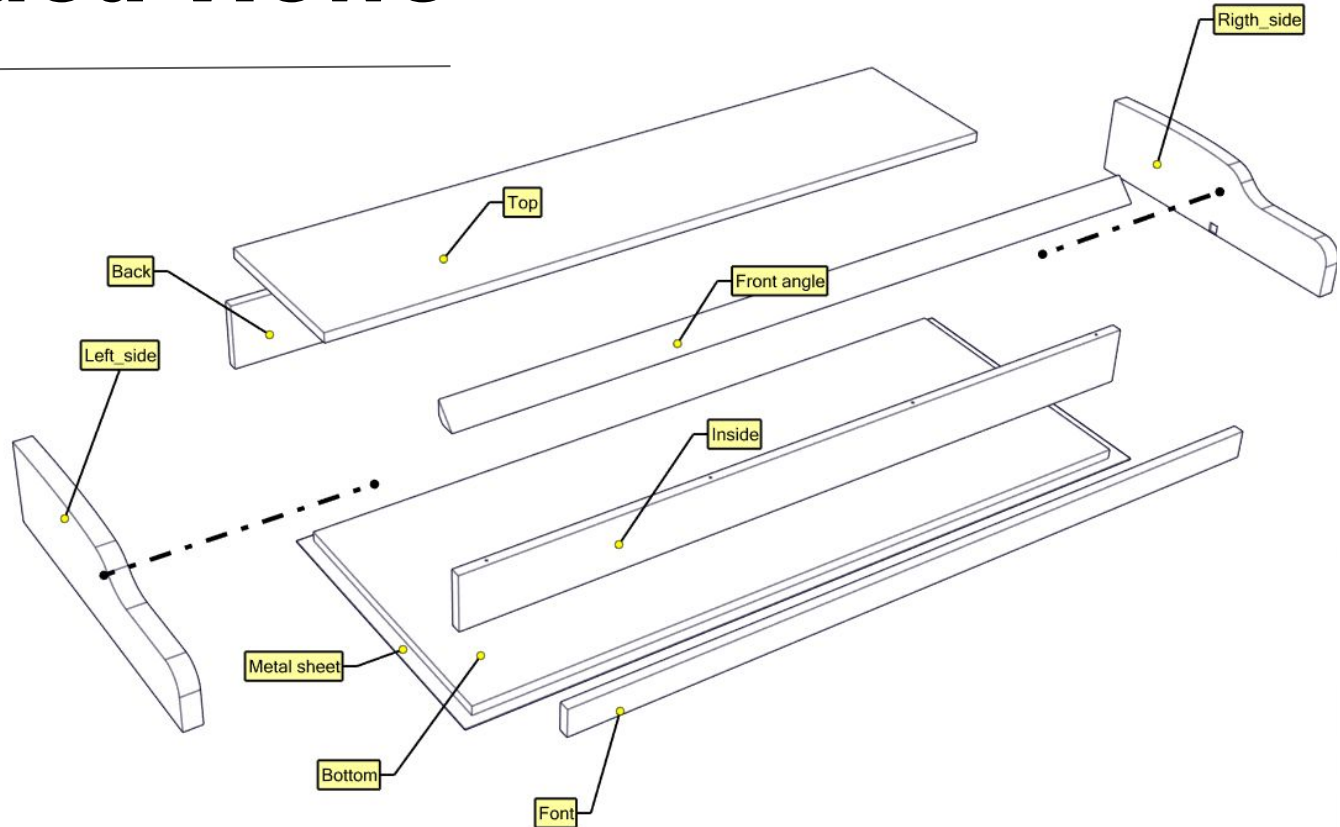


Assembly

Step2

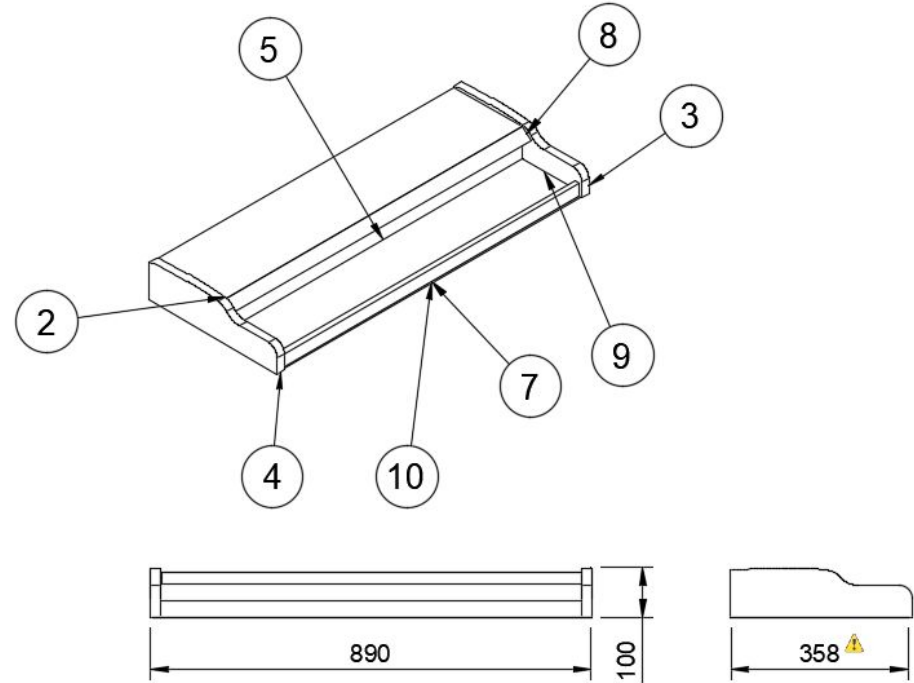


Exploded views



Cut list

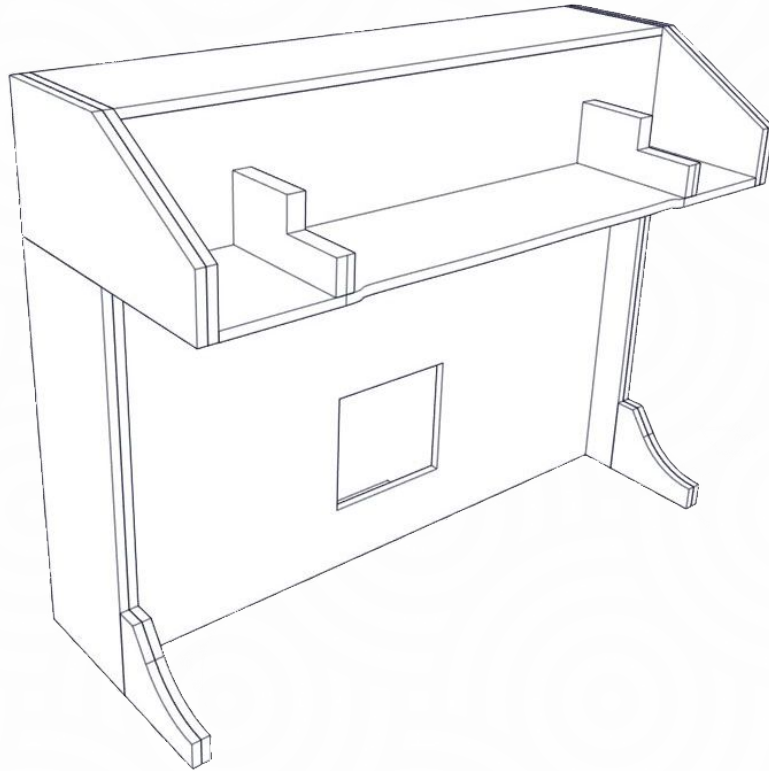
Parts List				
Item	Qty	Part Number	Description	Material
1	1	PortableOrgan_v3 v6 v1		Steel
2	1	Top	850mm x 196mm	Wood 20mm
3	1	Rigth side	365mm x 100mm	Wood 20mm
4	1	Left side	365mm x 100mm	Wood 20mm
5	1	Inside	850mm x 68mm	Wood 20mm
6	1	Back	850mm x 80mm	Wood 20mm
7	1	Front	820mm x 33mm	Wood 12mm
8	1	Front angle	847mm x 34mm	Wood 20mm
9	1	Bottom	847mm x 334mm	Wood 20mm
10	1	Metal sheet		Steel



OPENPIPES.ORG

OPENPIPES

Pipe organ sound for the masses



2 manuals

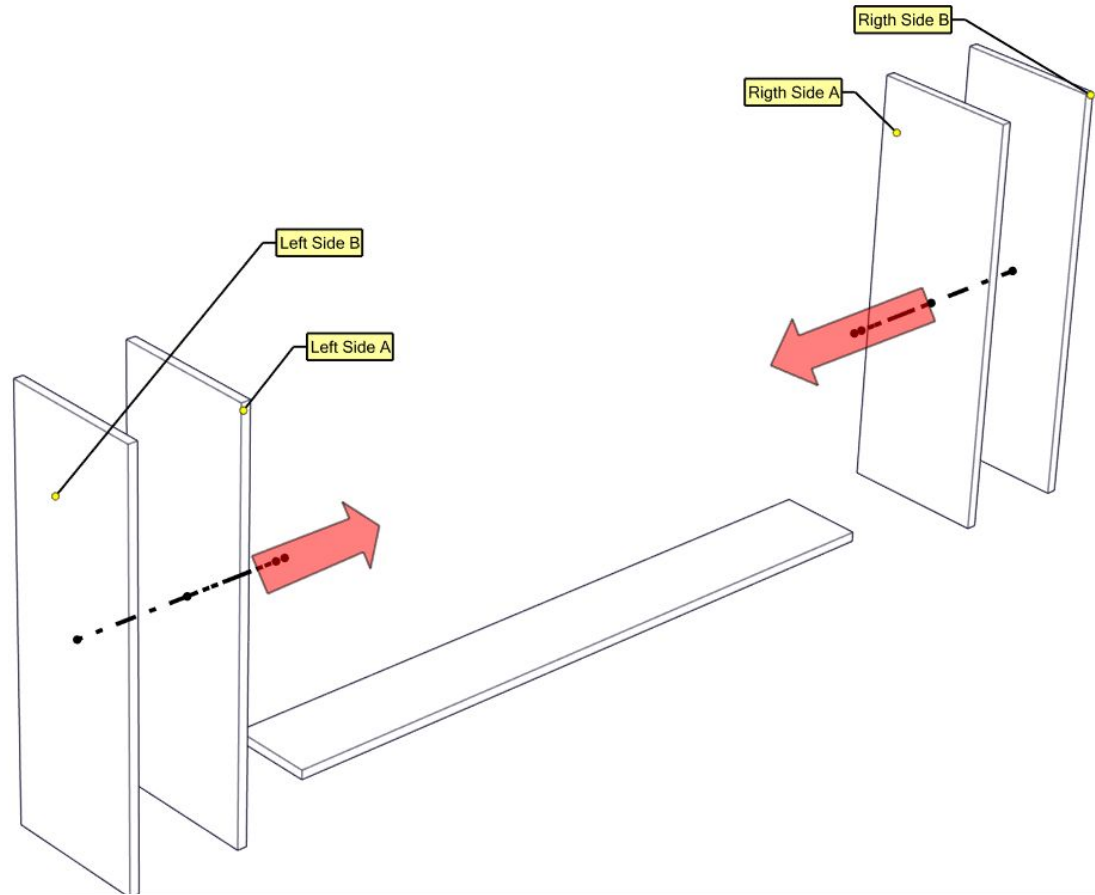
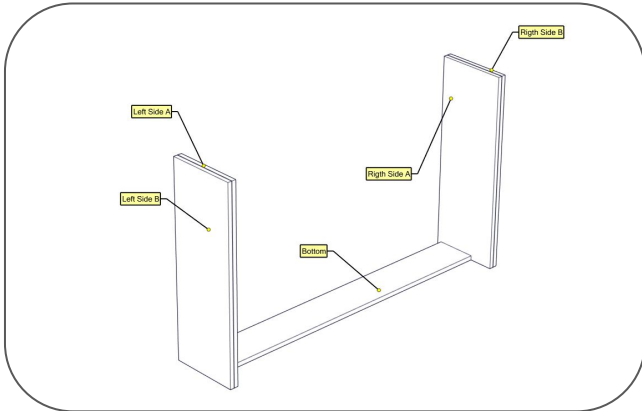
P2-CNC

Assembly

Step by step assembly order

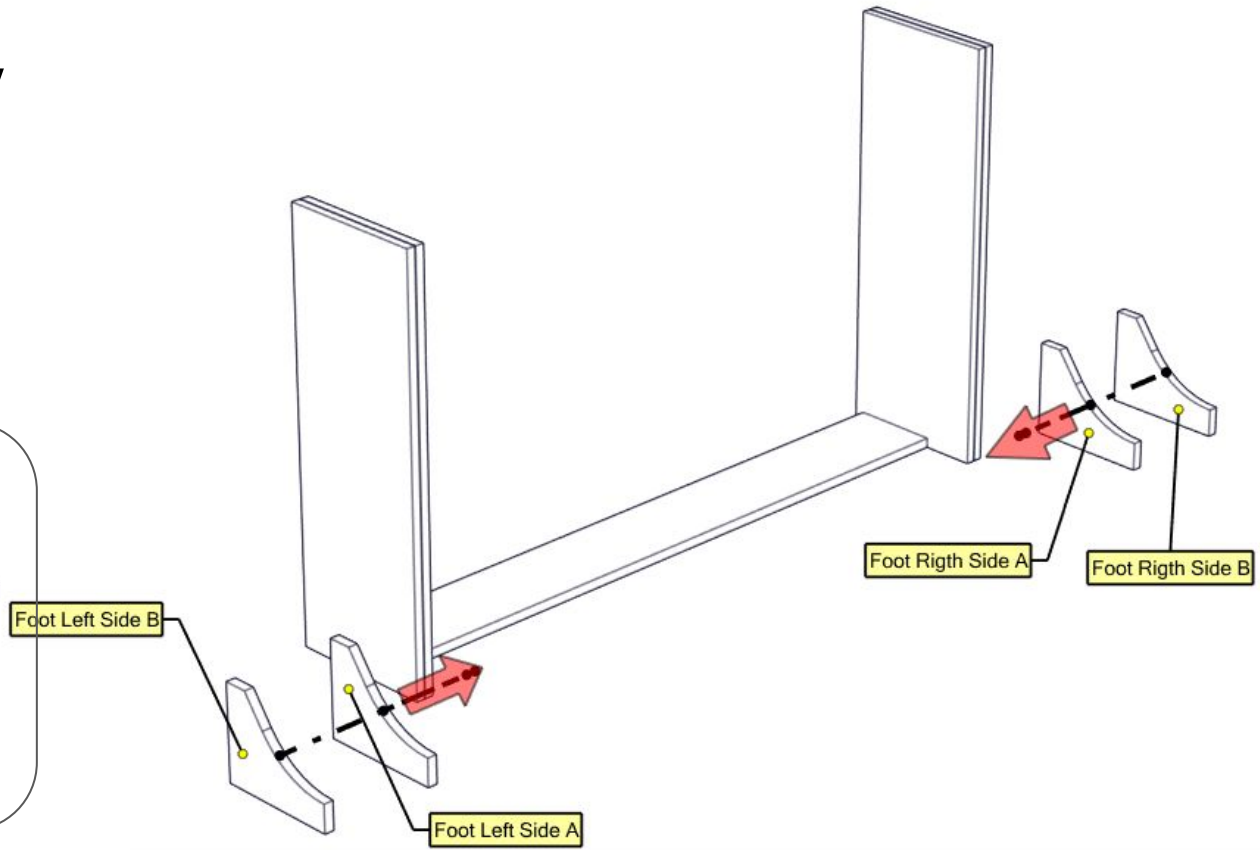
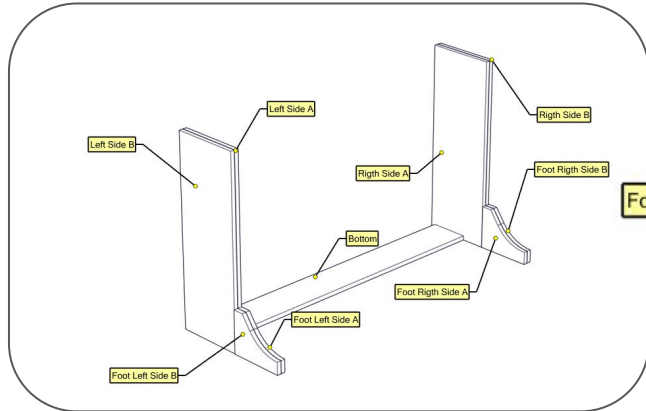
Assembly

Step 1



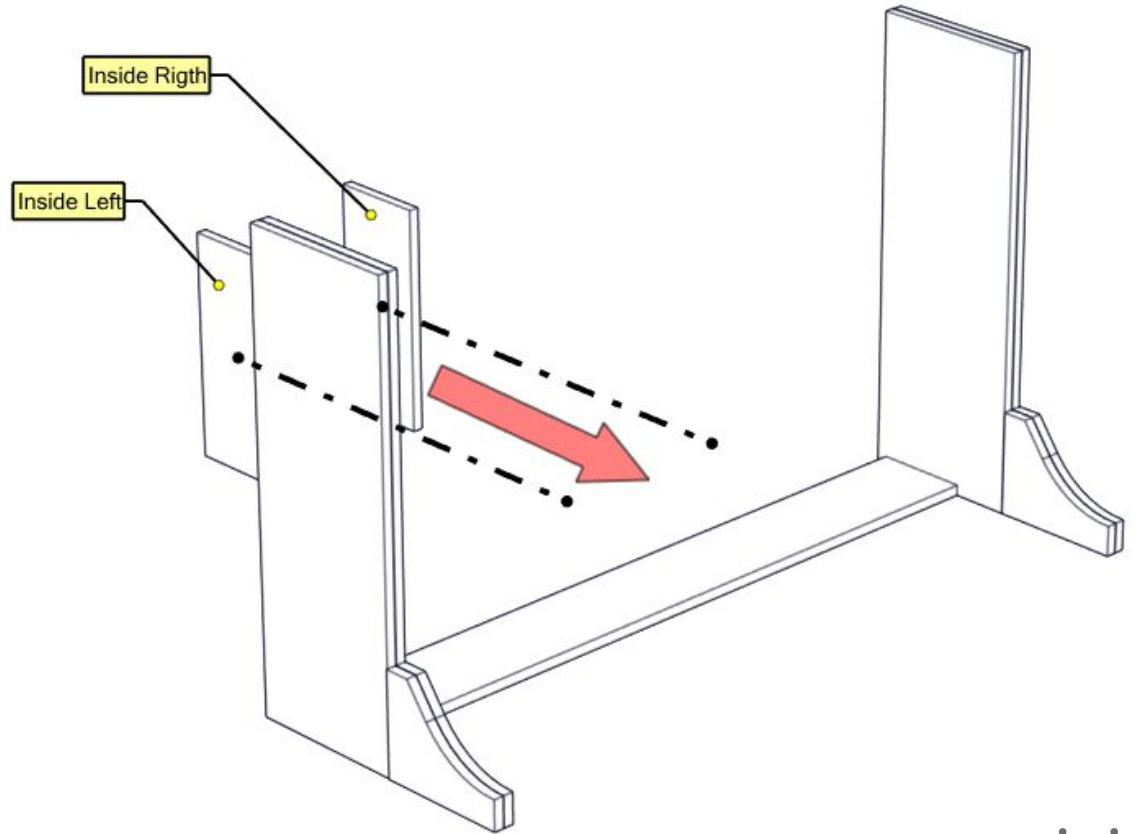
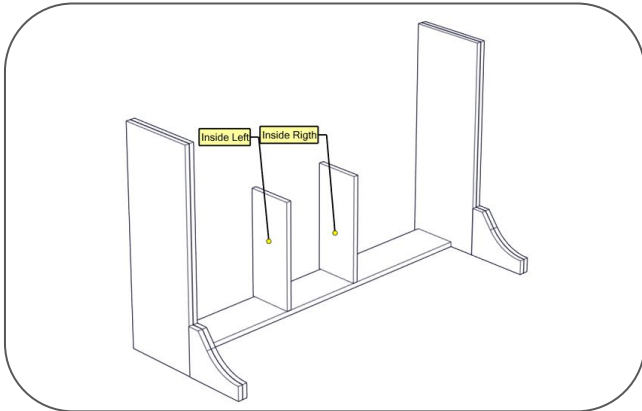
Assembly

Step 2



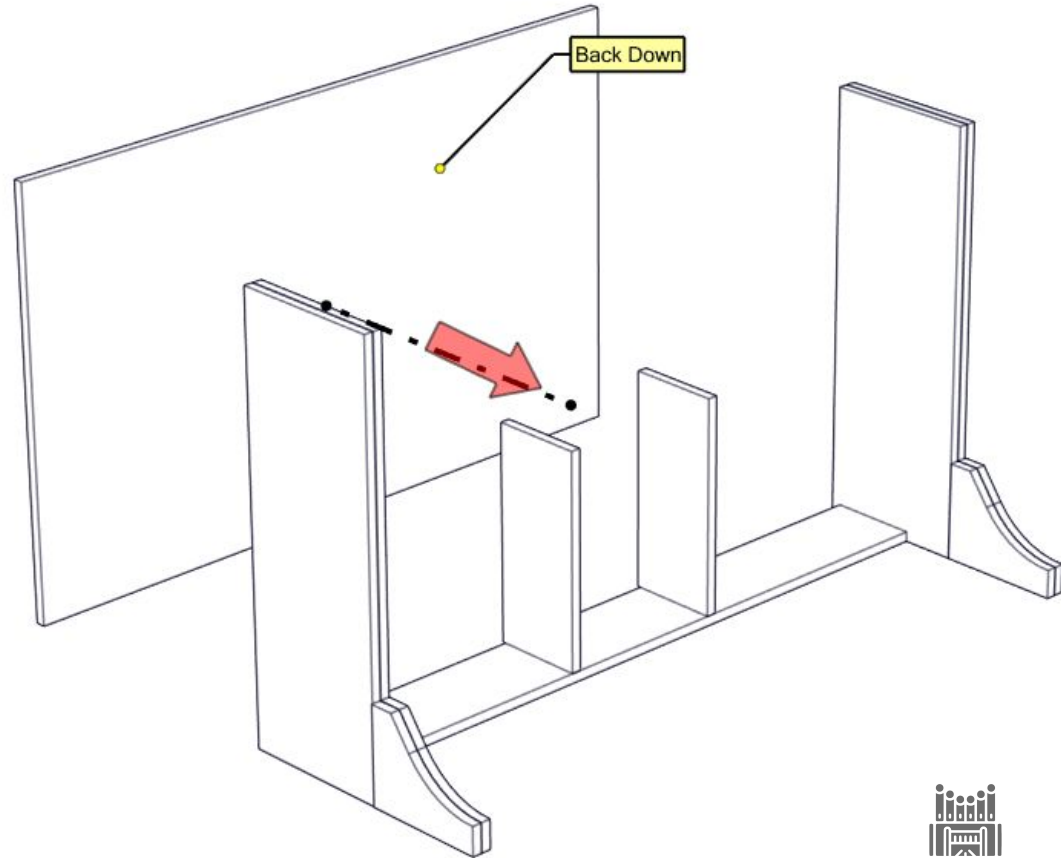
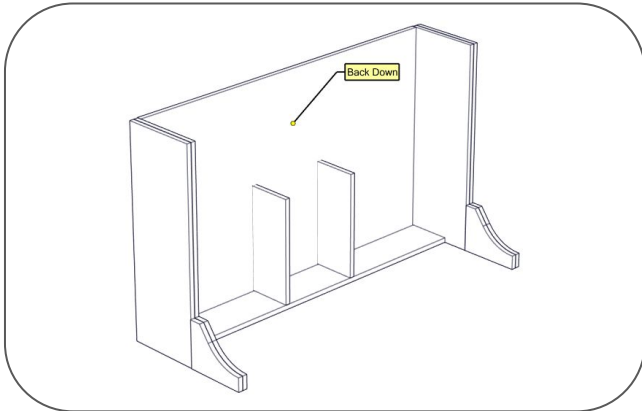
Assembly

Step 3



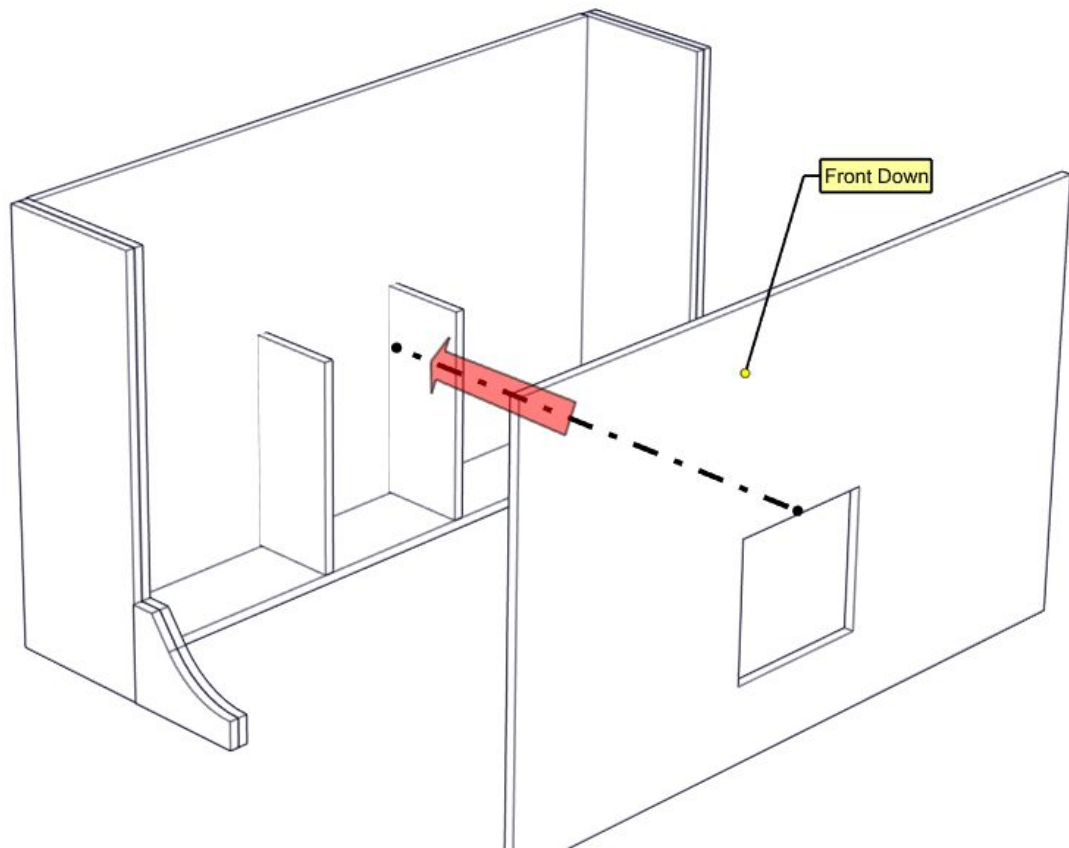
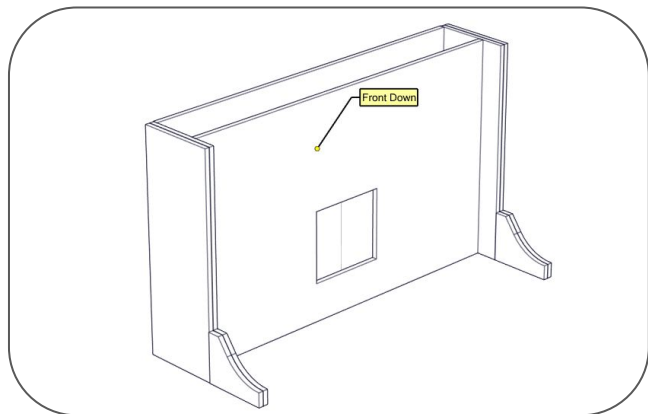
Assembly

Step 4



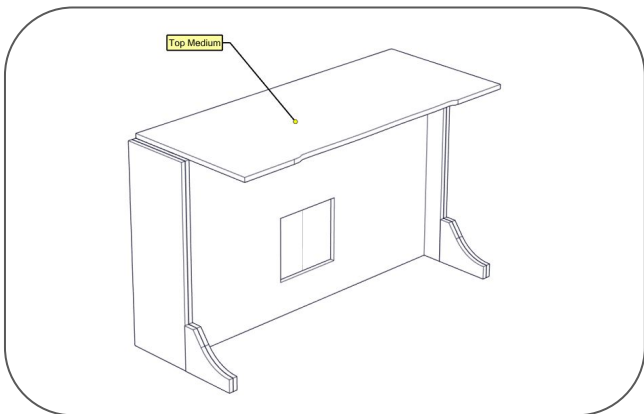
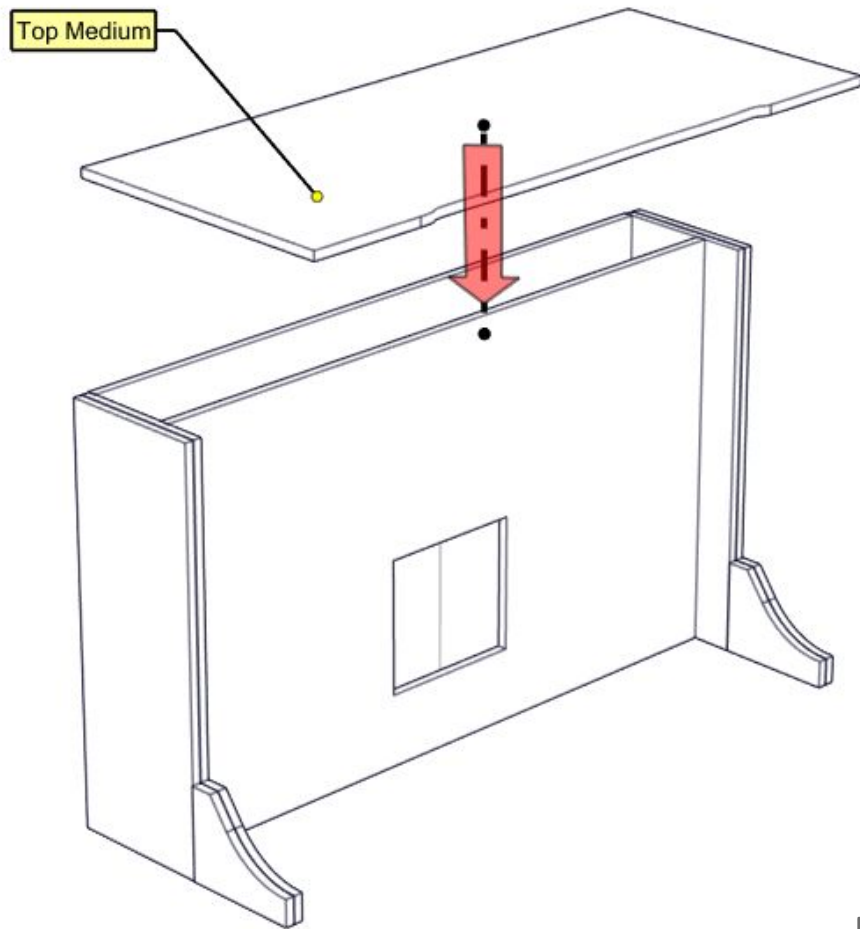
Assembly

Step 5



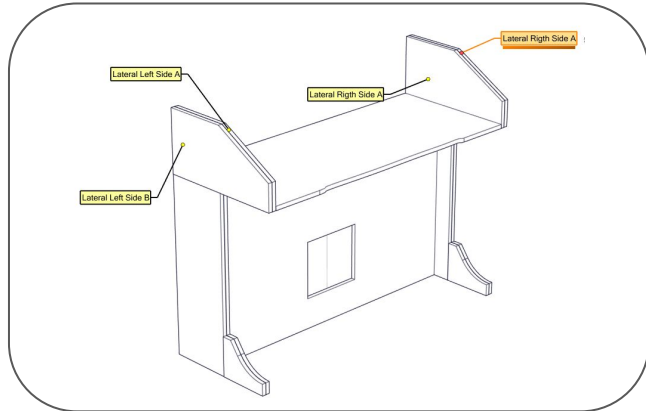
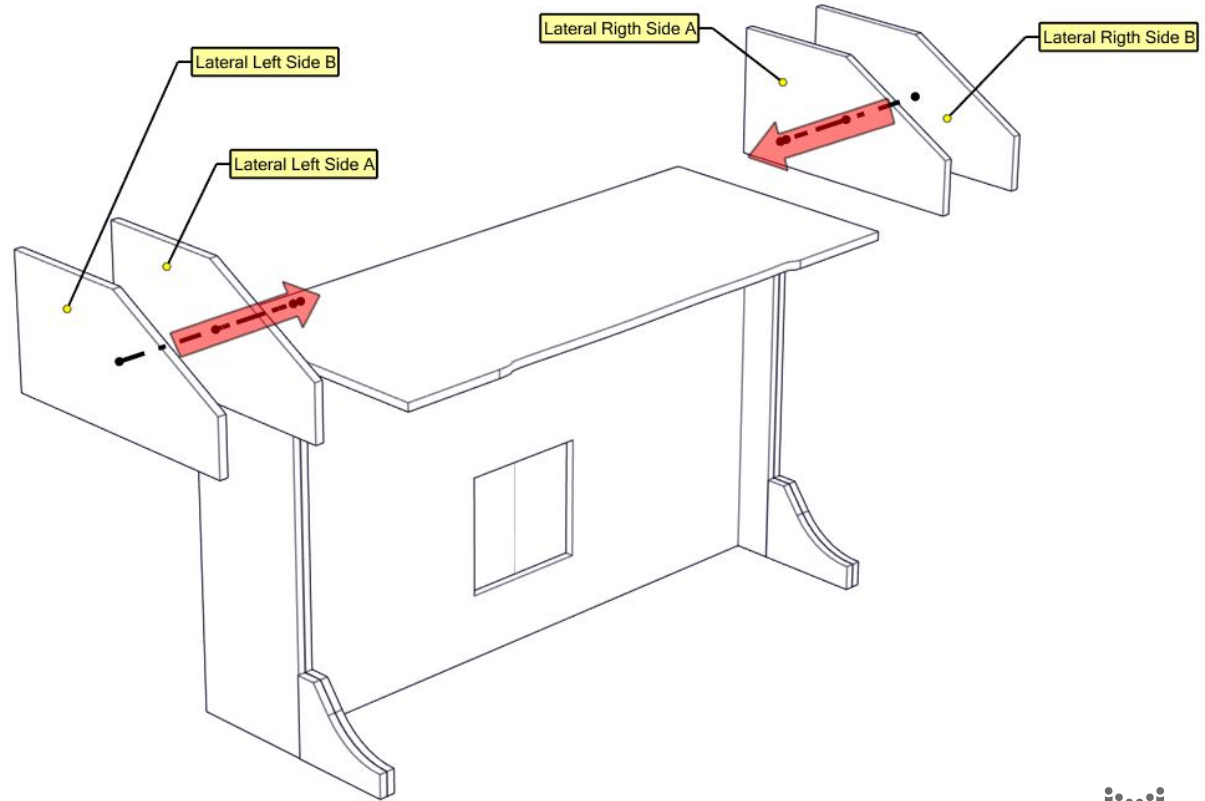
Assembly

Step 6



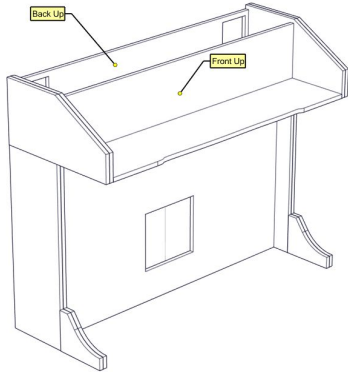
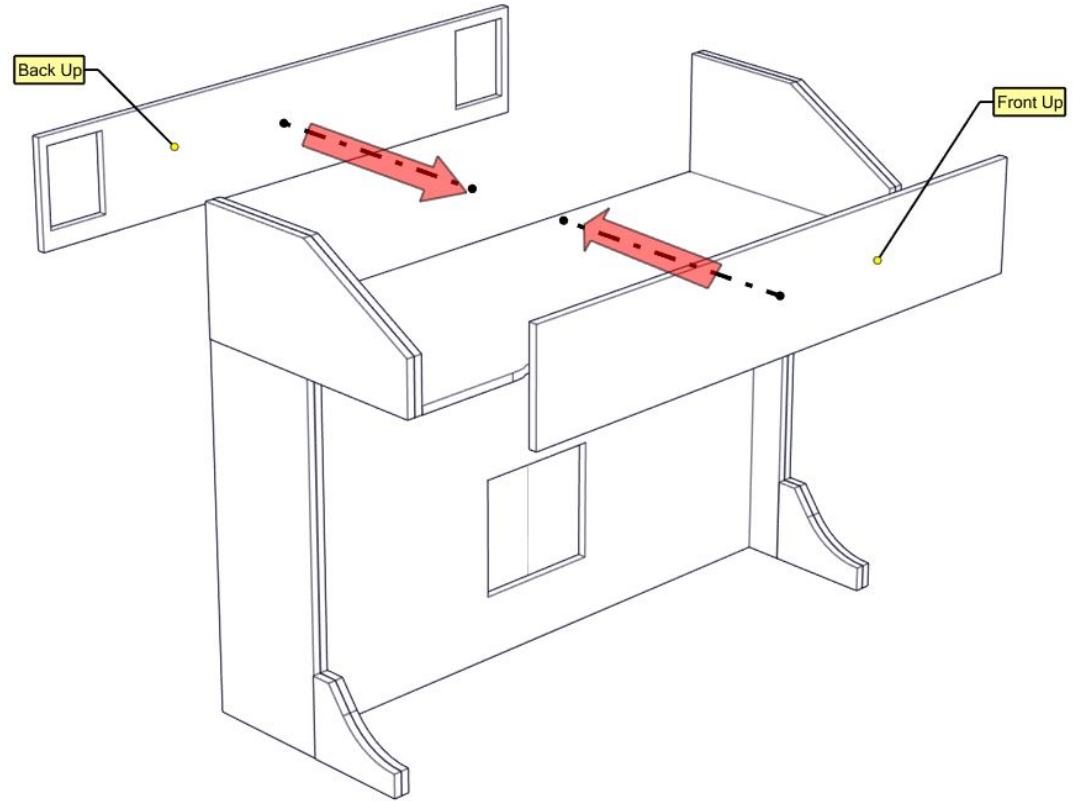
Assembly

Step 7



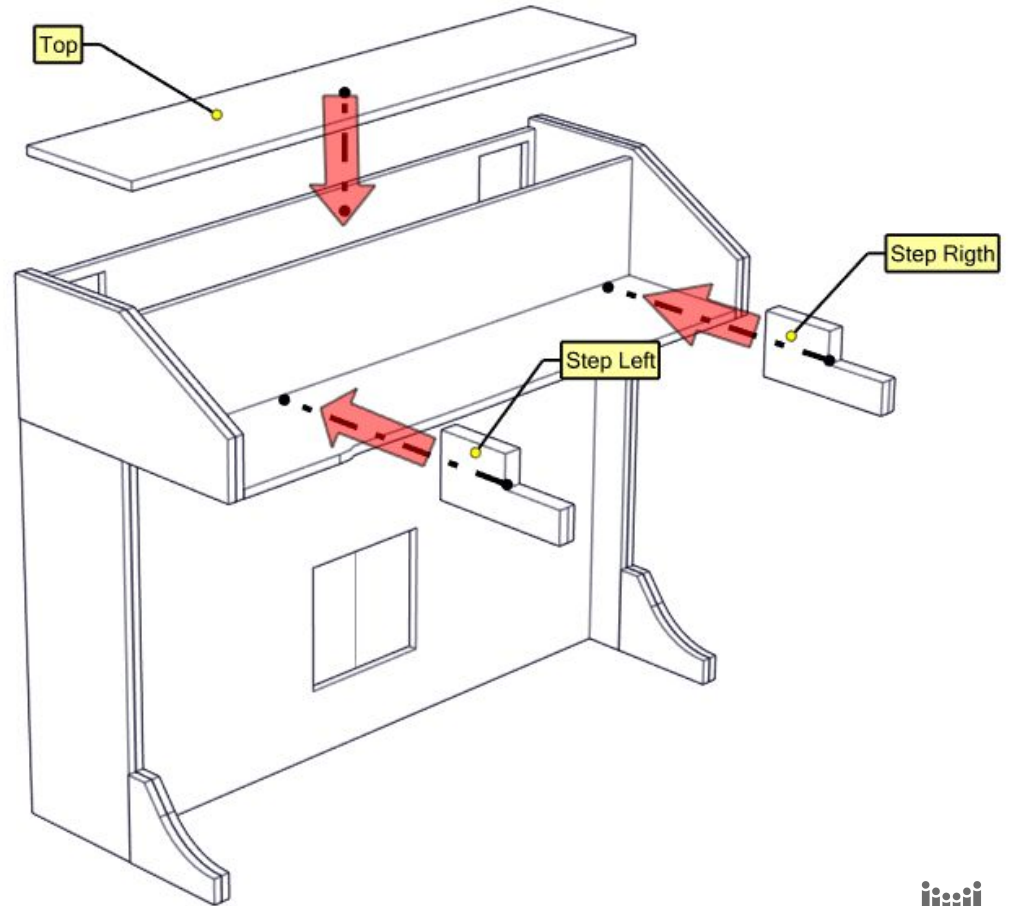
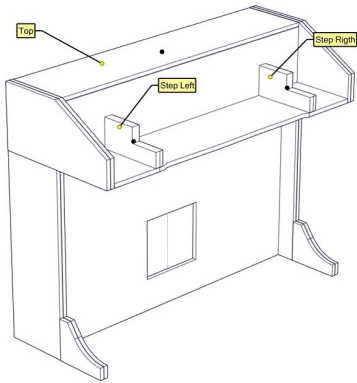
Assembly

Step 8



Assembly

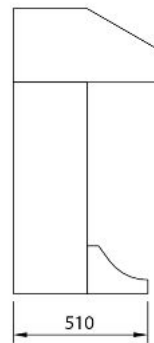
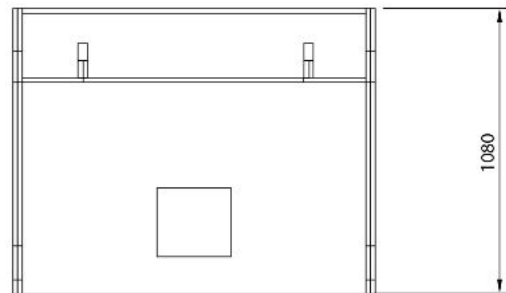
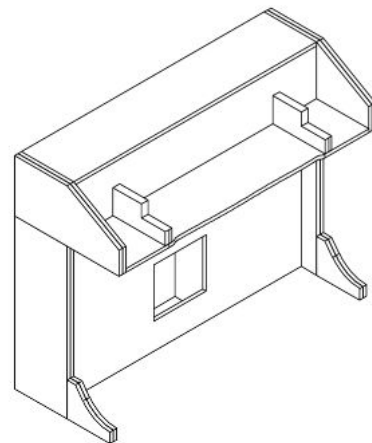
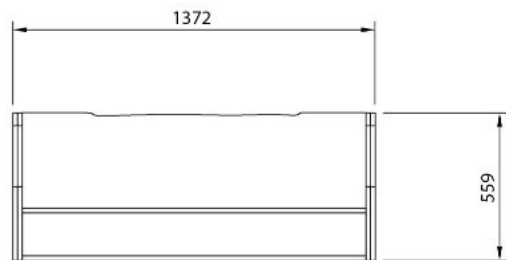
Step 9



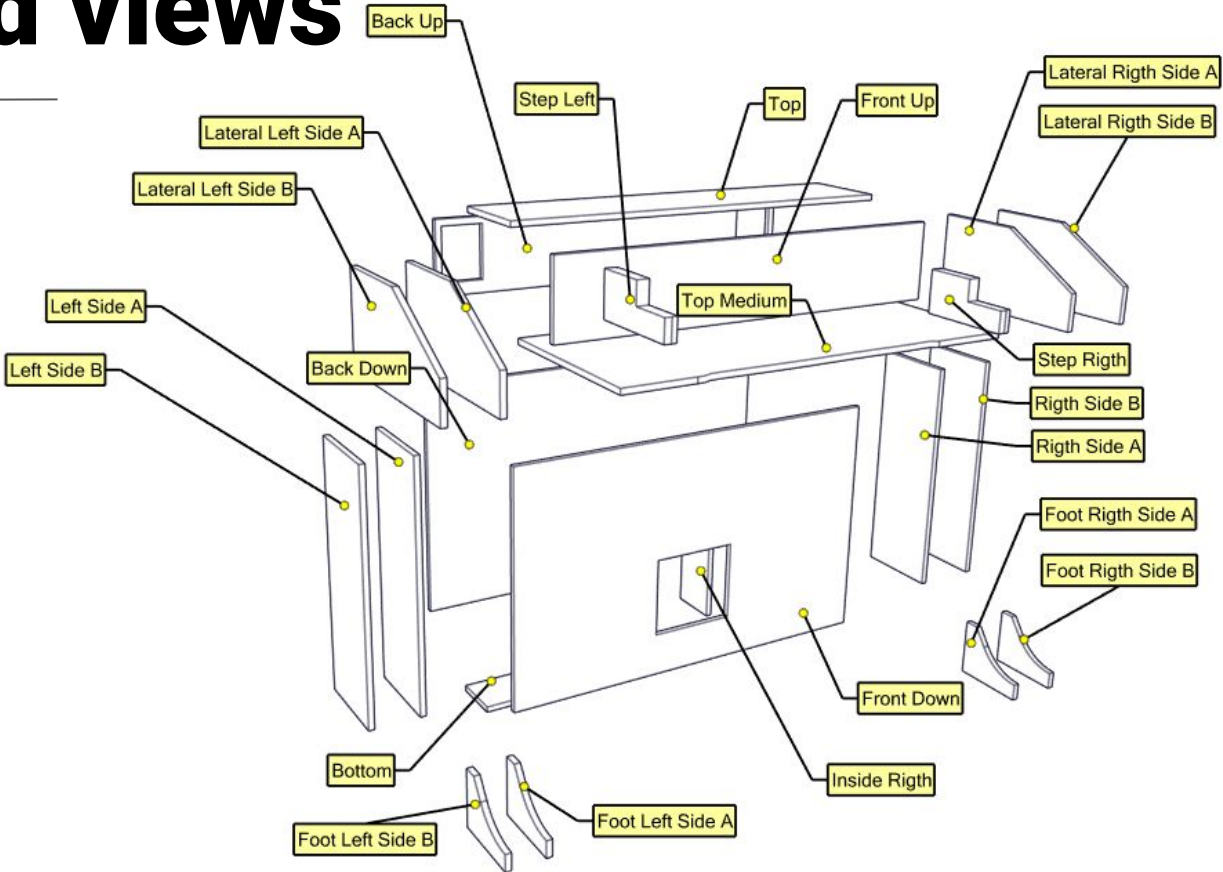
Dimensions

General dimensions, exploded views and cutting list

Dimensions

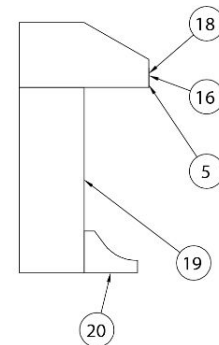
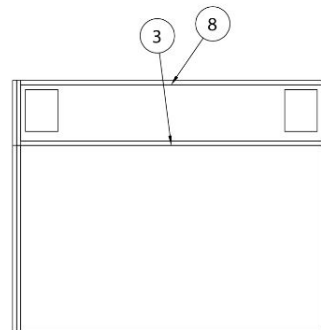
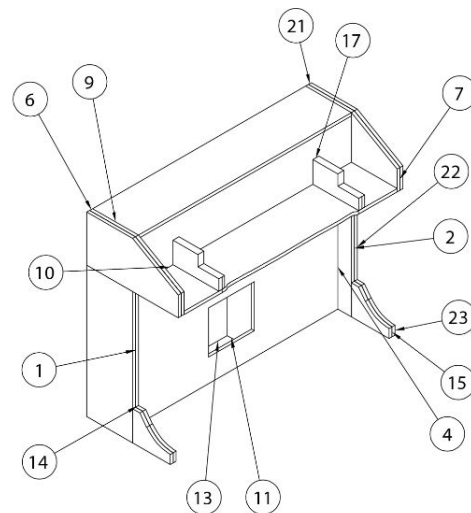


Exploded views



Cut list

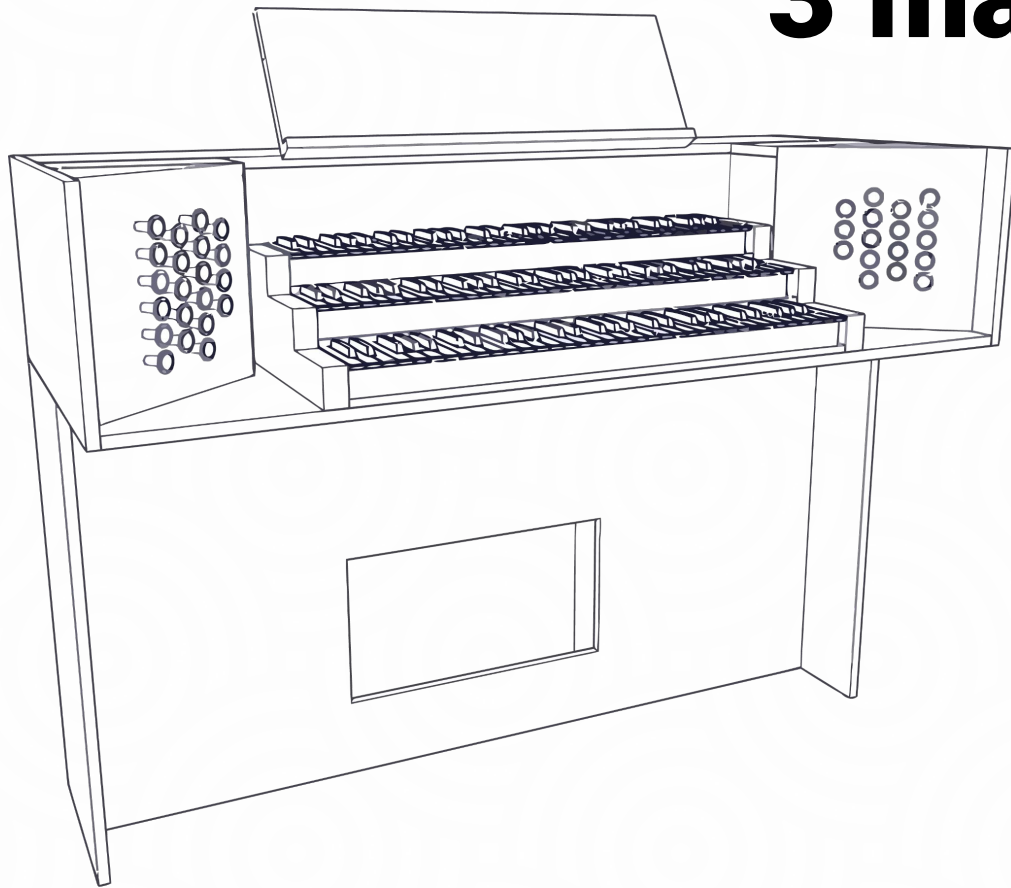
Parts List				
Item	Qty	Part Number	Description	Material
1	1	Left Side A	800mm x 280mm	Wood 18mm
2	1	Righth Side A	800mm x 280mm	Wood 18mm
3	1	Back Down	1300mm x 800mm	Wood 18mm
4	1	Front Down	1300mm x 800mm	Wood 18mm
5	1	Top Medium	1300mm x 560mm	Wood 18mm
6	1	Lateral Left Side A	550mm x 280mm	Wood 18mm
7	1	Lateral Righth Side A	550mm x 280mm	Wood 18mm
8	1	Back Up	1300mm x 244mm	Wood 18mm
9	1	Top	1300mm x 280mm	Wood 18mm
10	1	Front Up	1300mm x 244mm	Wood 18mm
11	1	Inside Righth	400mm x 162mm	Wood 18mm
12	1	Inside Left	400mm x 162mm	Wood 18mm
13	1	Bottom	1300mm x 162mm	Wood 18mm
14	1	Left Foot A	230mm x 180mm	Wood 18mm
15	1	Righth Foot A	230mm x 180mm	Wood 18mm
16	1	Step Left	280mm x 130mm	Wood 36mm
17	1	Step Righth	280mm x 130mm	Wood 36mm
18	1	Lateral Left Side B	550mm x 280mm	Wood 18mm
19	1	Left Side B	800mm x 280mm	Wood 18mm
20	1	Left Foot B	230mm x 180mm	Wood 18mm
21	1	Lateral Righth Side B	550mm x 280mm	Wood 18mm
22	1	Righth Side B	800mm x 280mm	Wood 18mm
23	1	Righth Foot B	230mm x 180mm	Wood 18mm



OPENPIPES.ORG

OPENPIPES

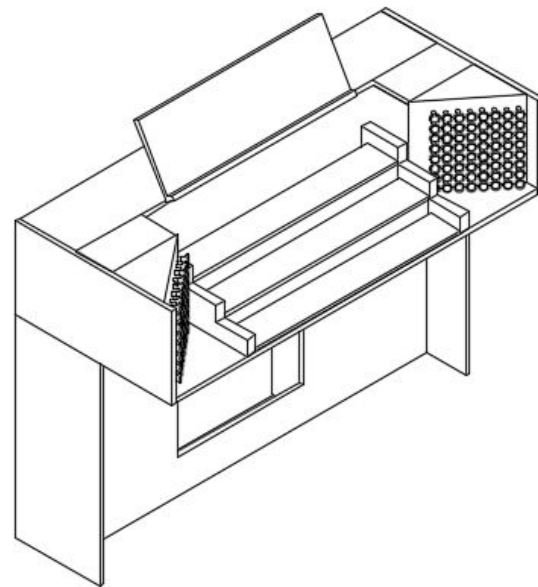
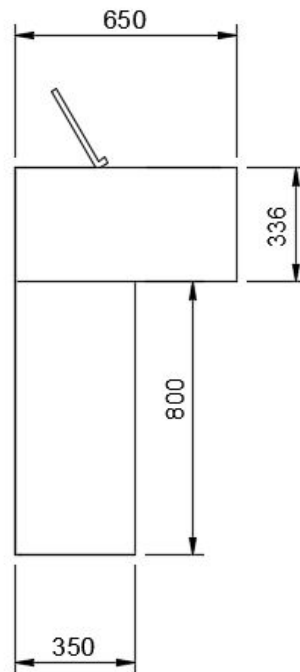
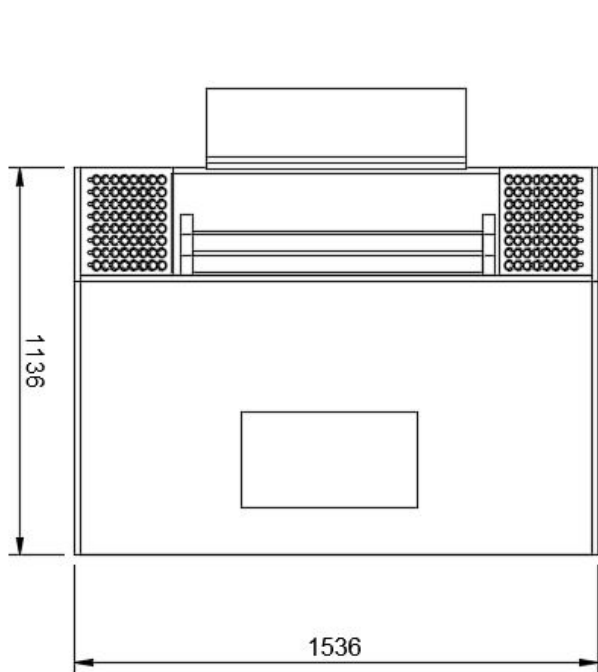
Pipe organ sound for the masses



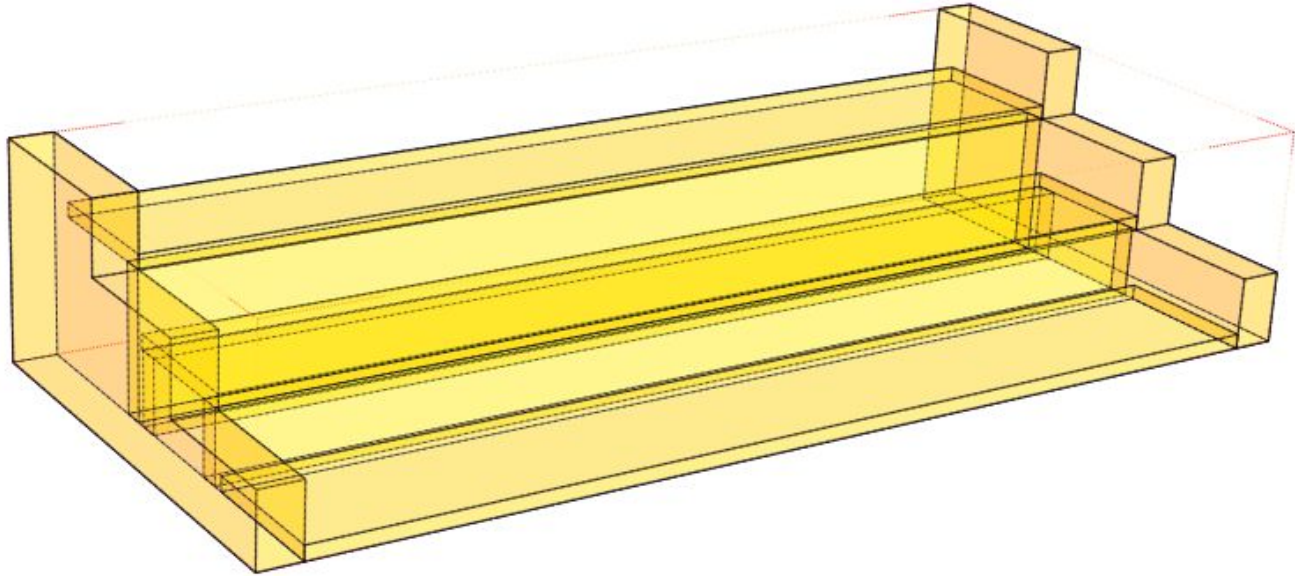
3 manuals

P3-CNC

Dimensions

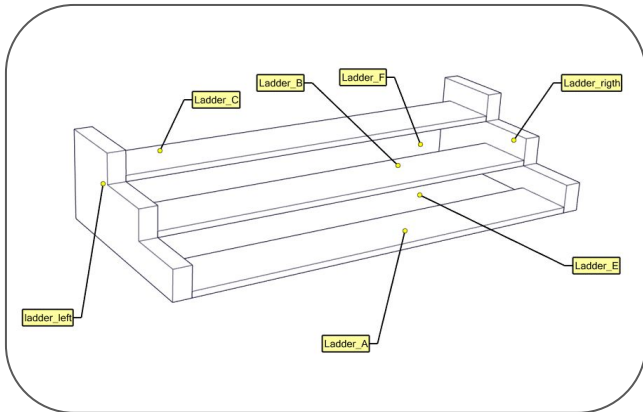
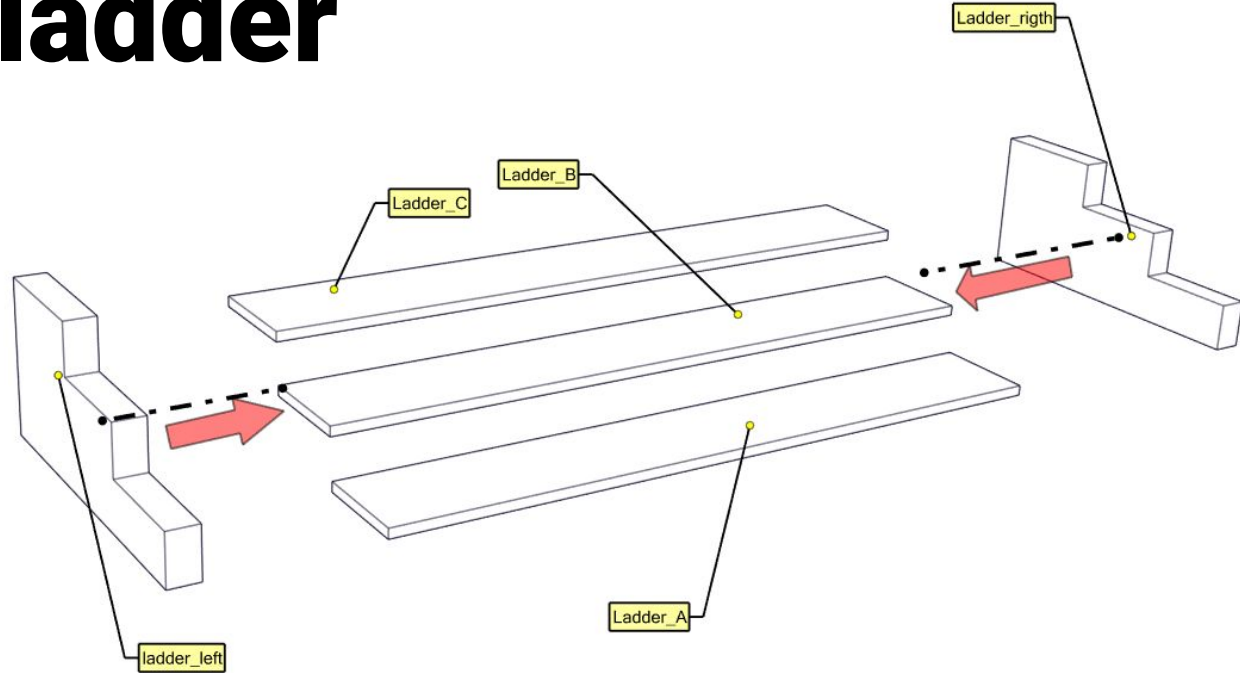


Assembly ladder



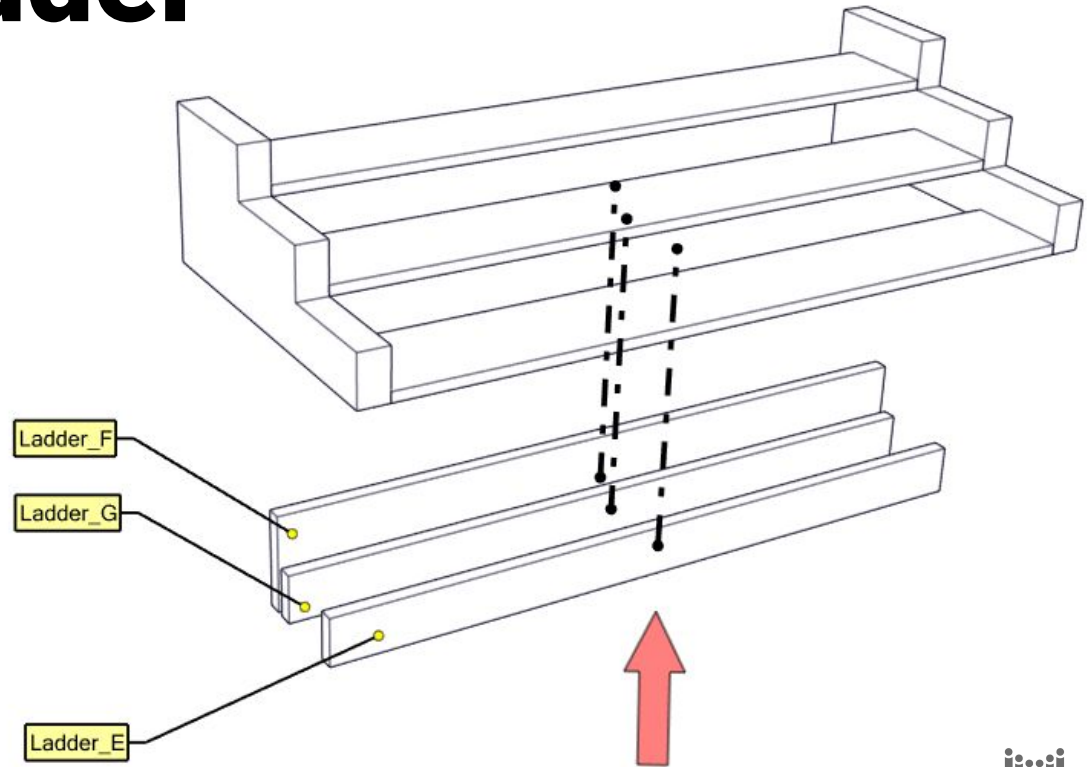
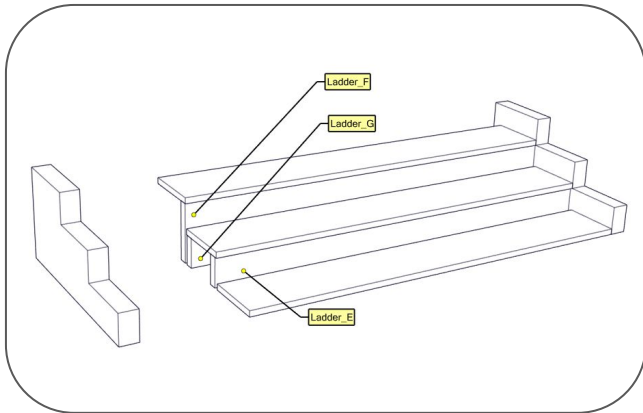
Assembly ladder

Step1

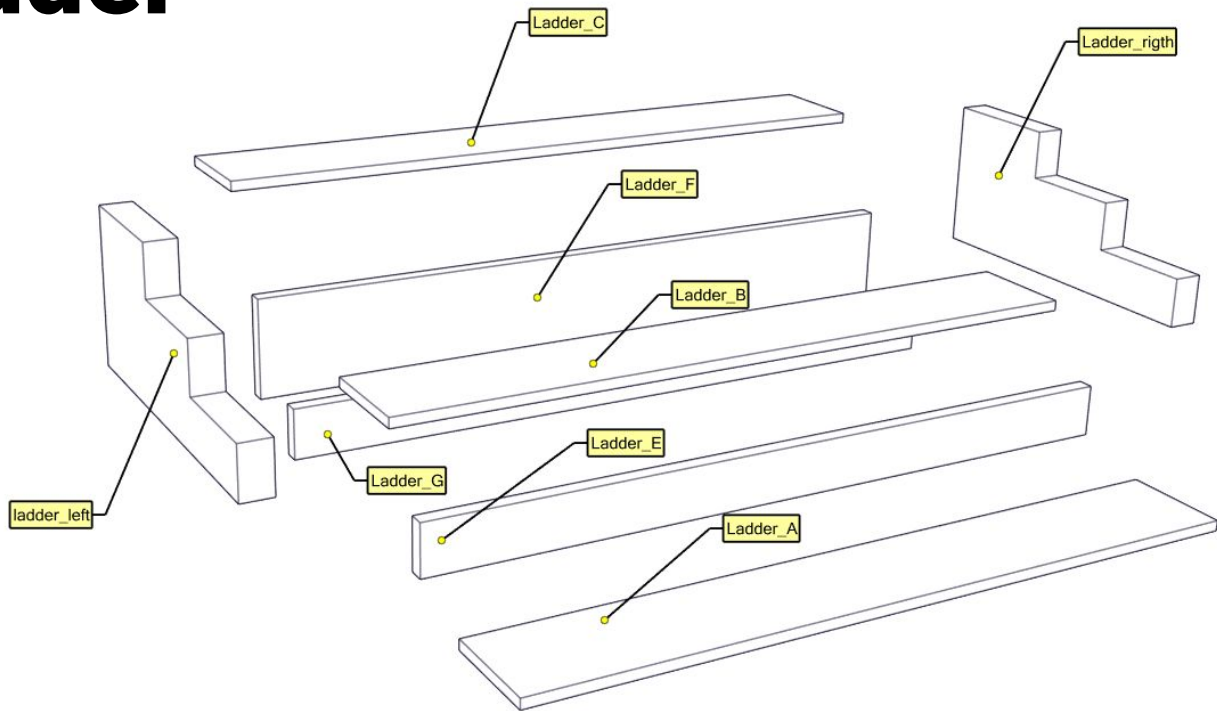
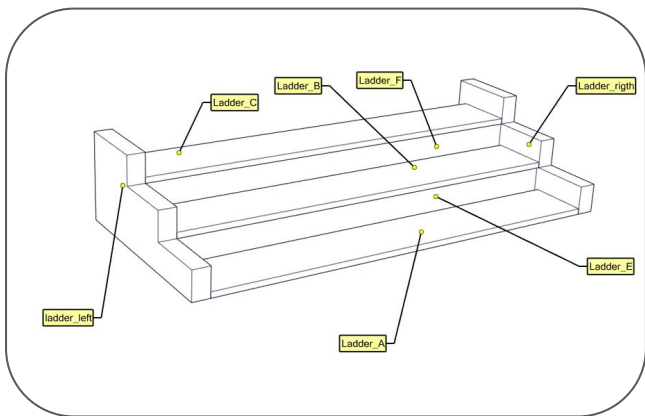


Assembly ladder

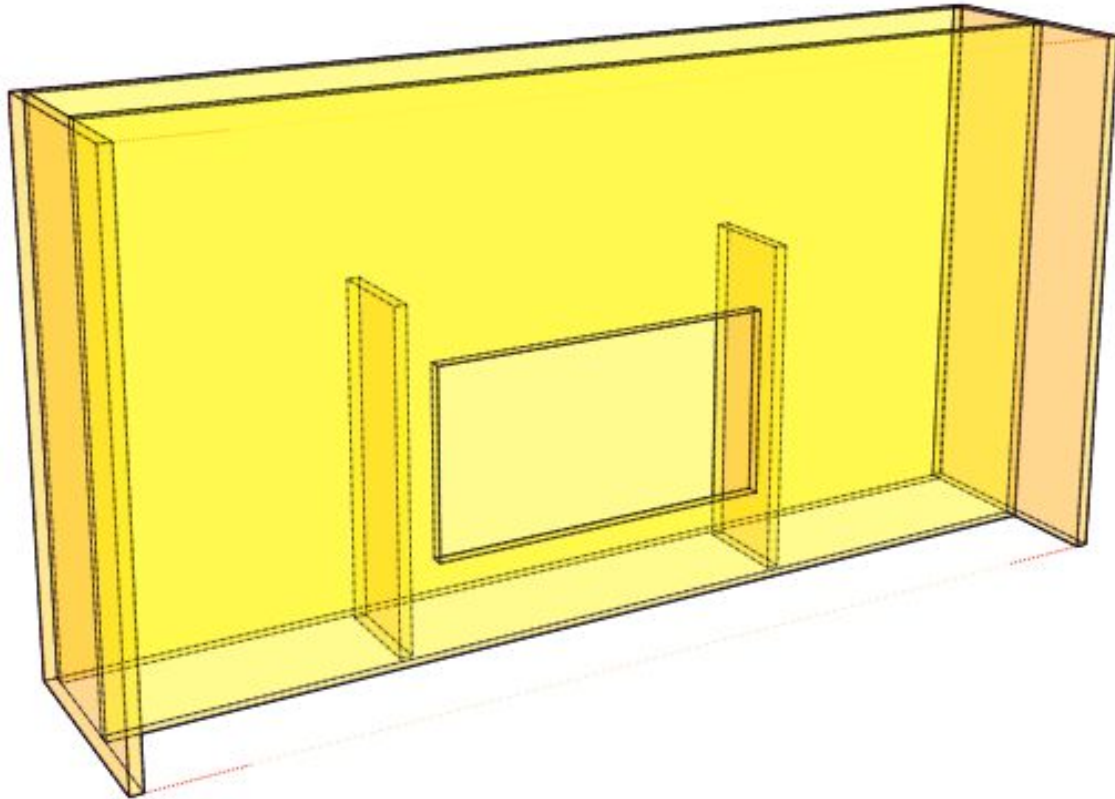
Step2



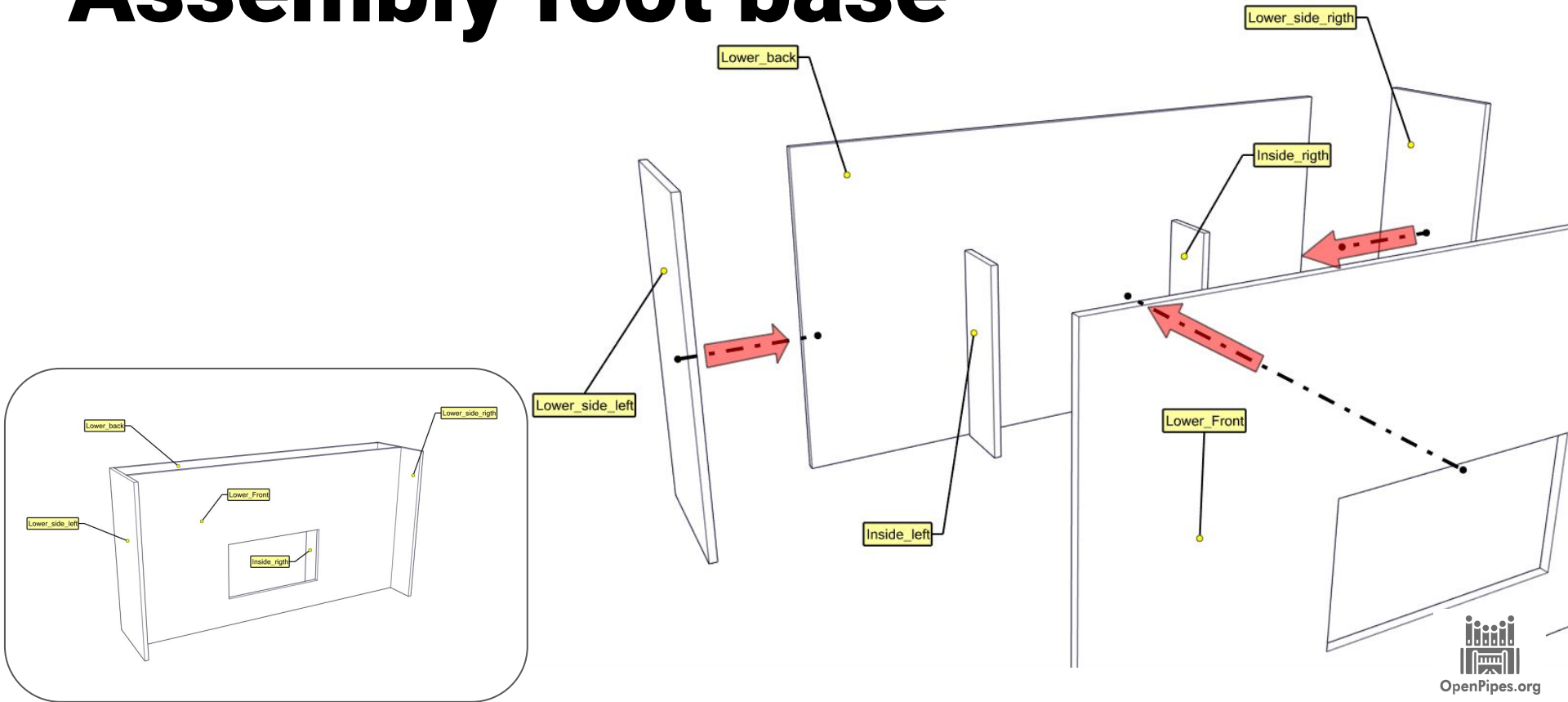
Exploded ladder



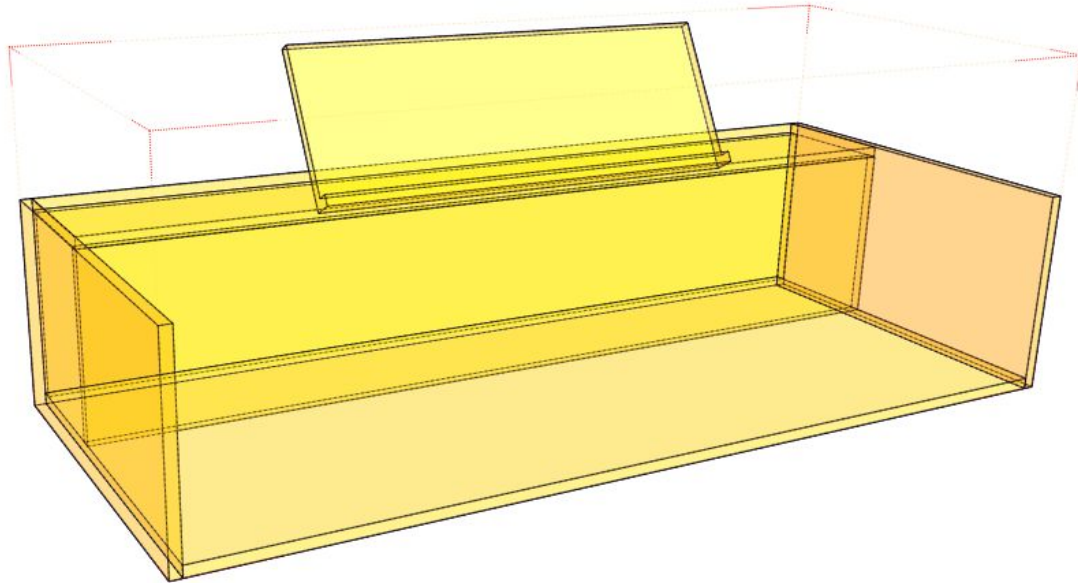
Assembly foot base



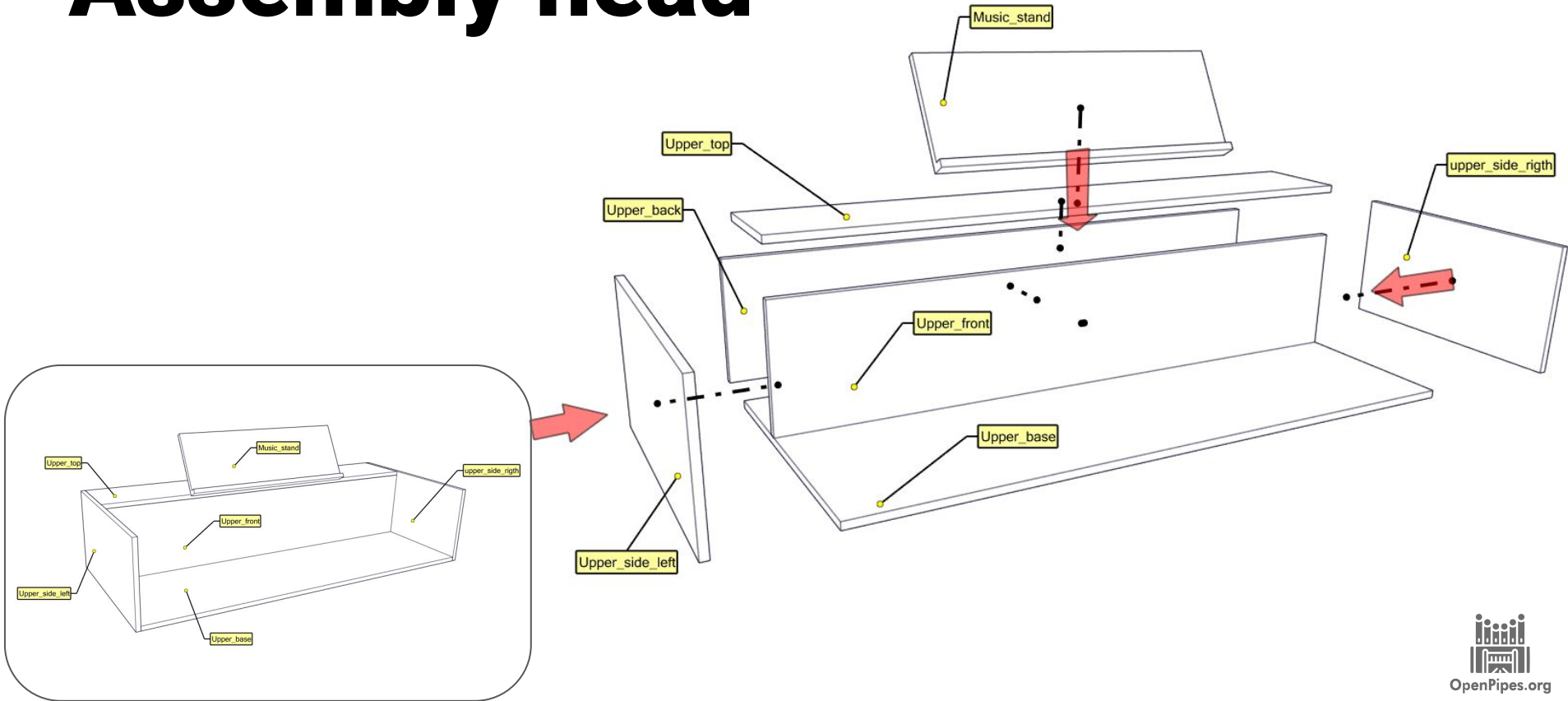
Assembly foot base



Assembly head



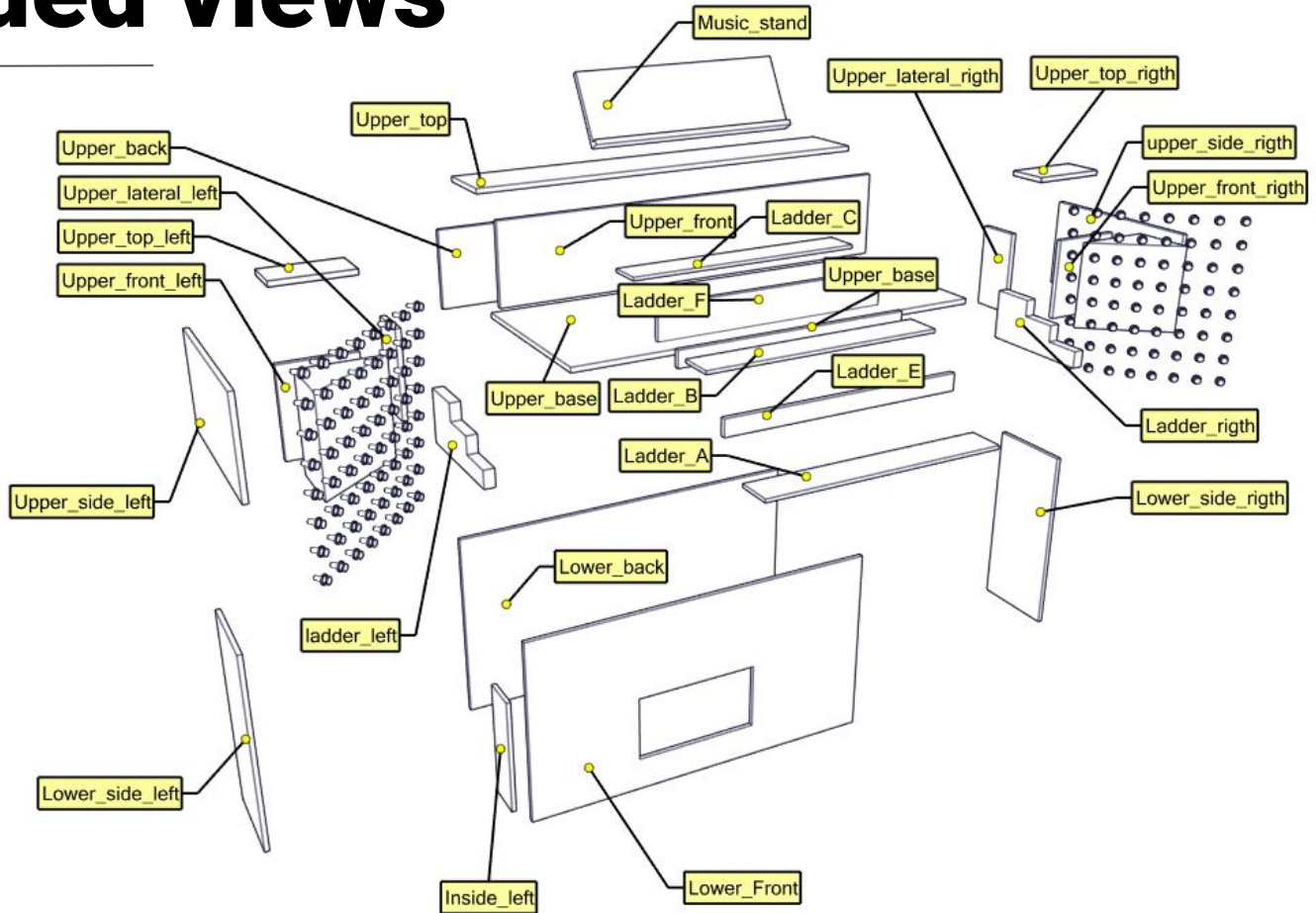
Assembly head



Assembly box

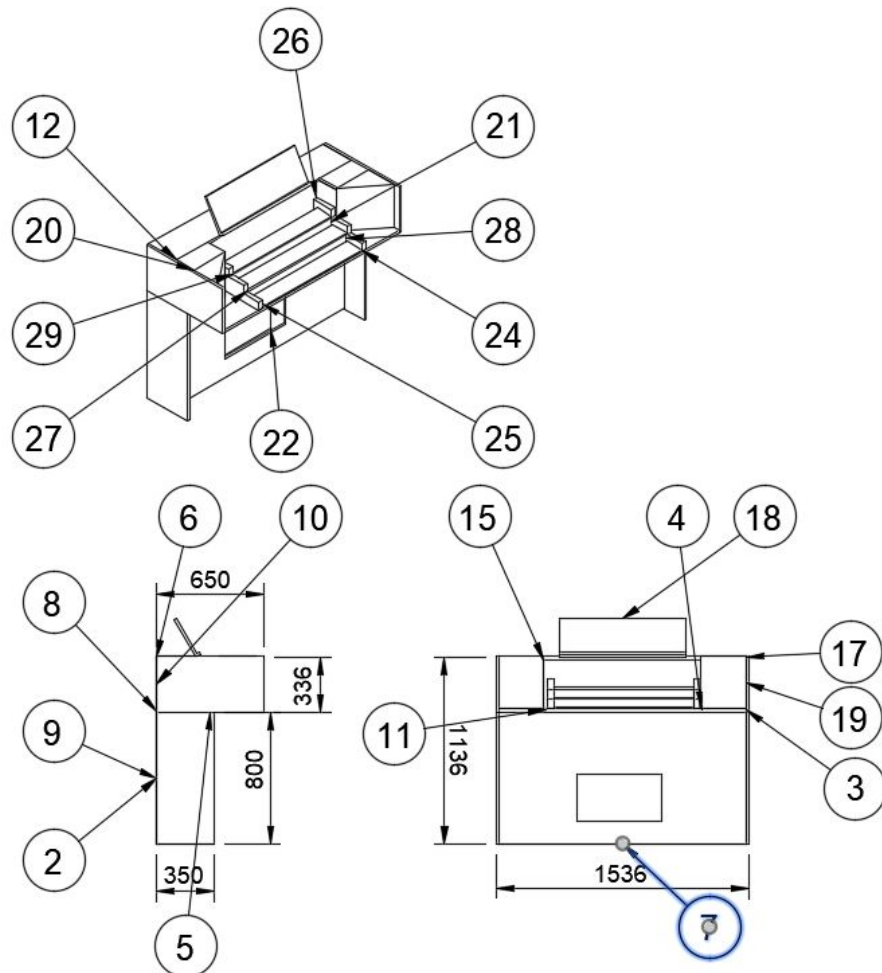


Exploded views



Cut list

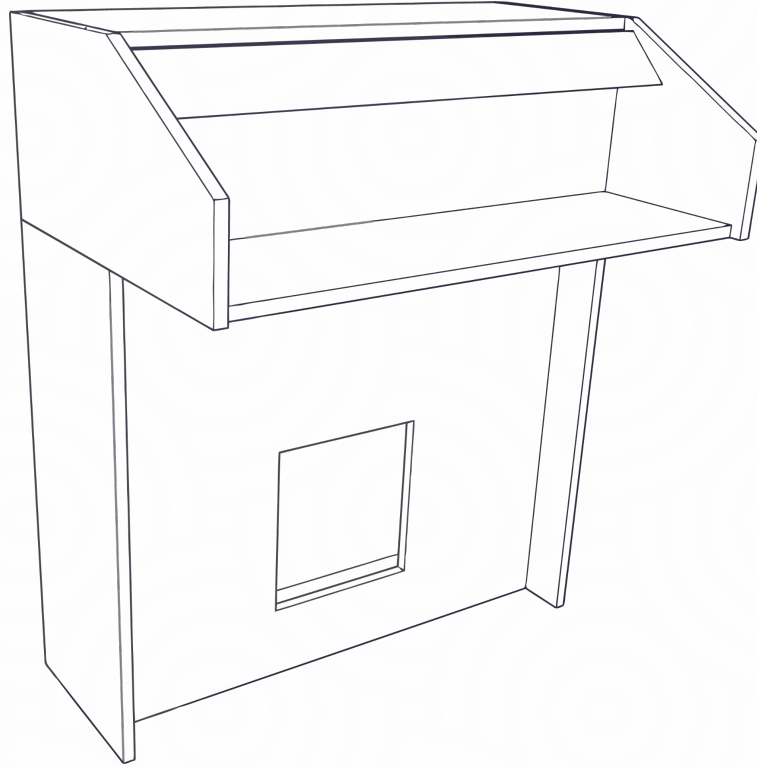
Parts List				
Item	Qty	Part Number	Description	Material
1	3	PortableOrgan_v3 v6 v1		
2	1	Lower_side_left	800mm x 350mm	Wood 18mm
3	1	Upper_front_rigth	300mm x 252mm	Wood 18mm
4	1	Upper_lateral_rigth	300mm x 151mm	Wood 18mm
5	1	Upper_side_left	650mm x 336mm	Wood 18mm
6	1	Upper_side_rigth	650mm x 336mm	Wood 18mm
7	1	Lower_Front	1500mm x 800mm	Wood 18mm
8	1	Upper_base	1500mm x 650mm	Wood 18mm
9	1	Lower_back	1500mm x 800mm	Wood 18mm
10	1	Upper_back	1500mm x 300mm	
11	1	Upper_front	1500mm x 300mm	Wood 18mm
12	1	Upper_top_left	300mm x 151mm	Wood 18mm
13	1	Upper_front_left	300mm x 252mm	Wood 18mm
14	1	Upper_top	1500mm x 236mm	Wood 18mm
15	1	Upper_lateral_left	300mm x 151mm	Wood 18mm
16	1	Lower_side_rigth	800mm x 350mm	Wood 18mm
17	1	Upper_top_rigth	270mm x 151mm	Wood 18mm
18	1	Music_stand	761mm x 263mm	Wood 18mm
19	1	Button_Rigth		Wood 18mm
20	1	Button_left		Wood 18mm
21	1	Ladder_F	850mm x 120mm	Wood 12mm
22	1	Inside_rigth	500mm x 150mm	Wood 18mm
23	1	Inside_left	500mm x 150mm	Wood 18mm
24	1	Ladder_A	850mm x 125mm	Wood 12mm
25	1	Ladder_left	410mm x 180mm	Wood 36mm
26	1	Ladder_rigth	410mm x 180mm	Wood 36mm
27	1	Ladder_B	850mm x 125mm	Wood 12mm
28	1	Ladder_E	850mm x 60mm	Wood 12mm
29	1	Ladder_C	850mm x 125mm	Wood 12mm
30	1	Ladder_G	850mm x 60mm	Wood 12mm



OPENPIPES.ORG

OPENPIPES

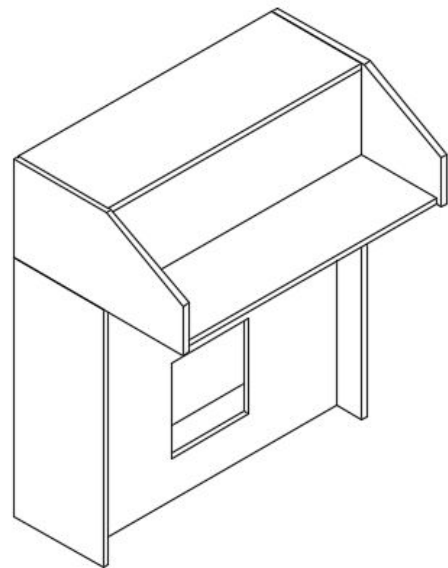
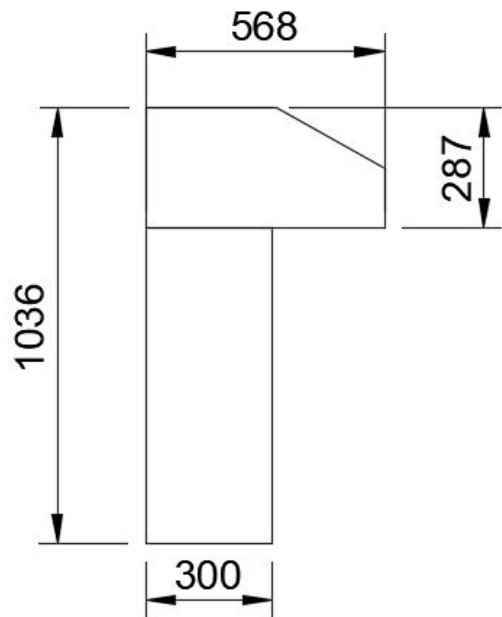
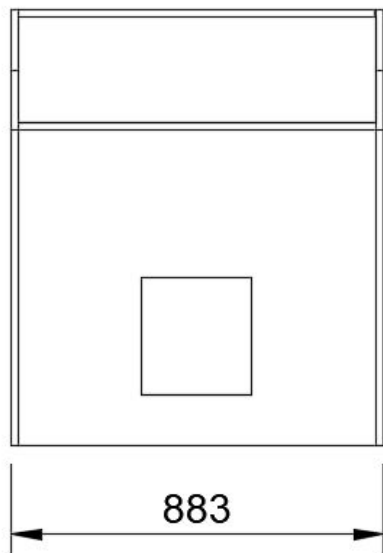
Pipe organ sound for the masses



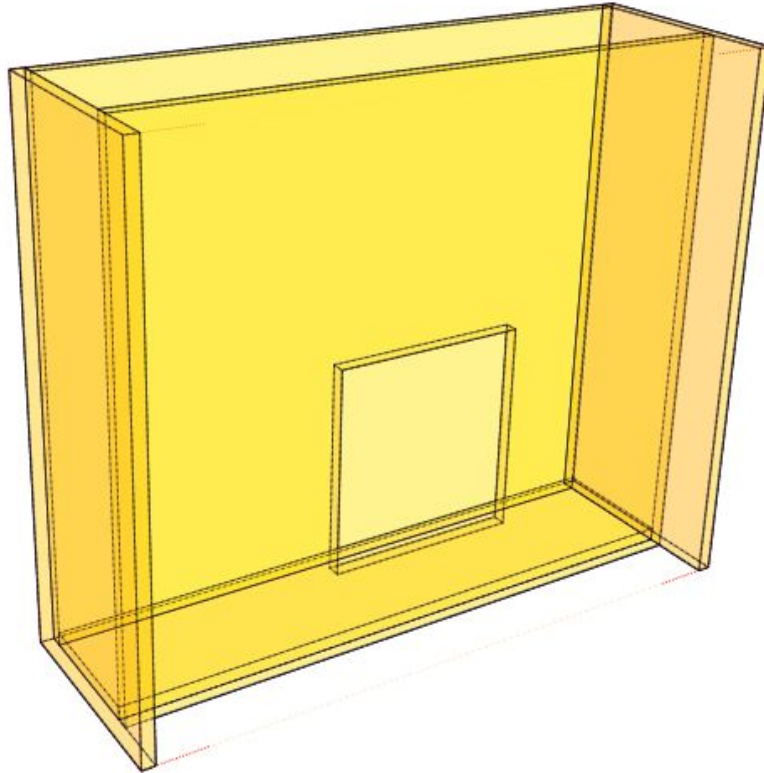
2 manuals small

P2-CNC

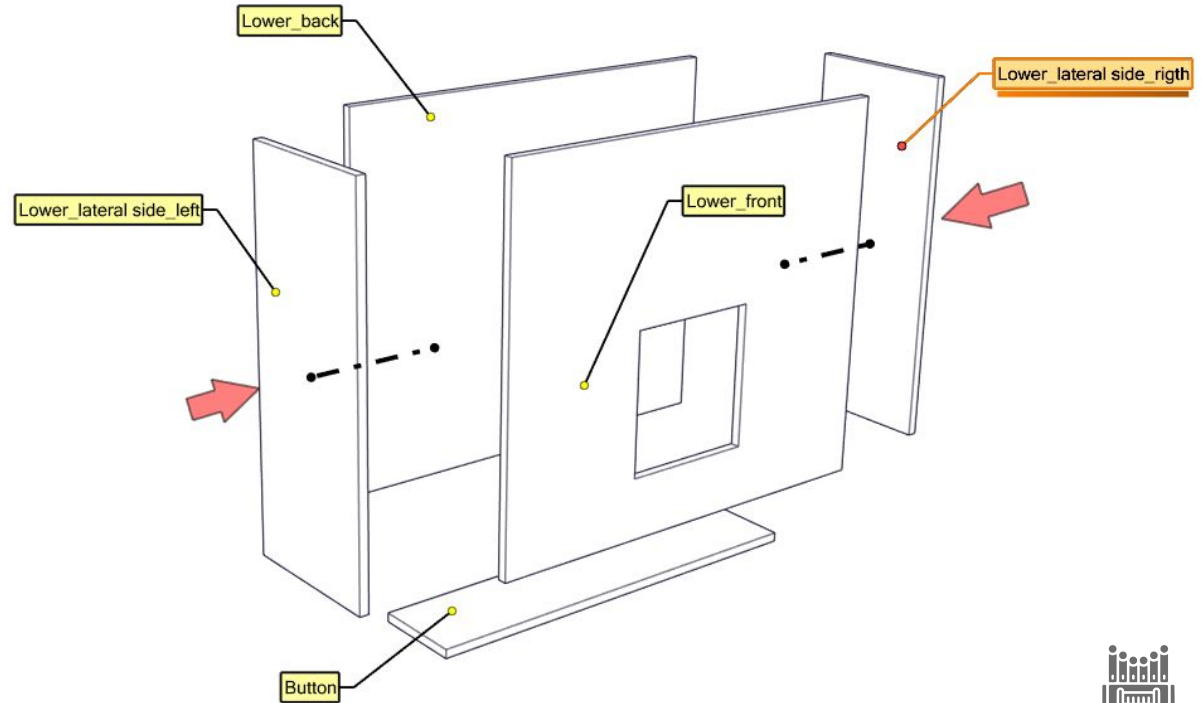
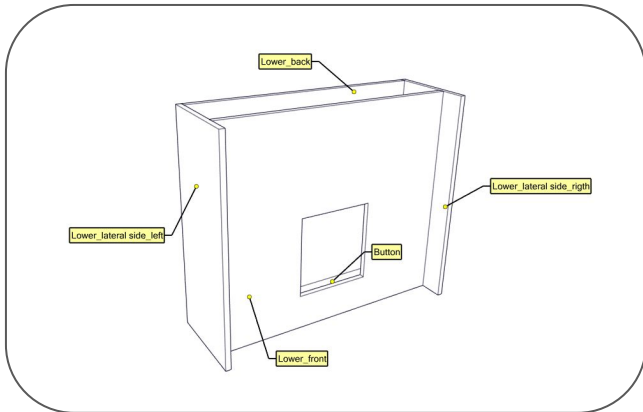
Dimensions



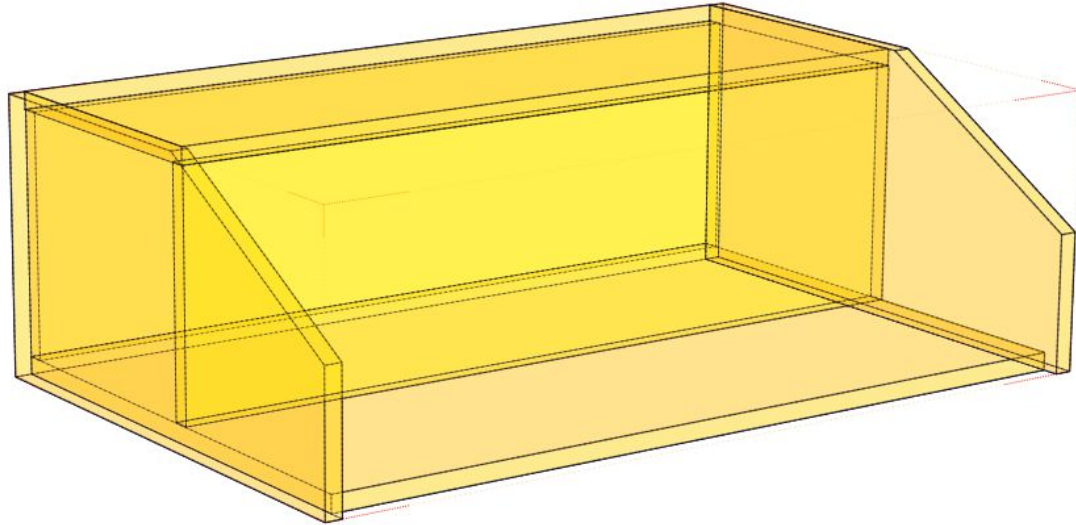
Assembly foot base



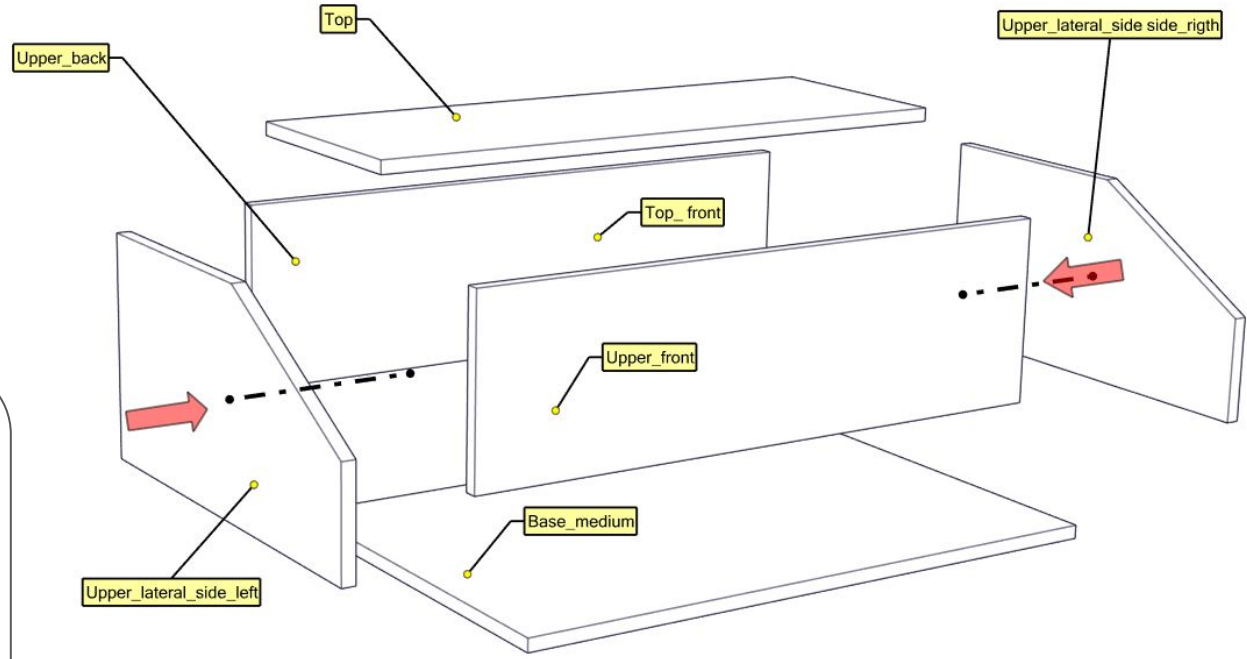
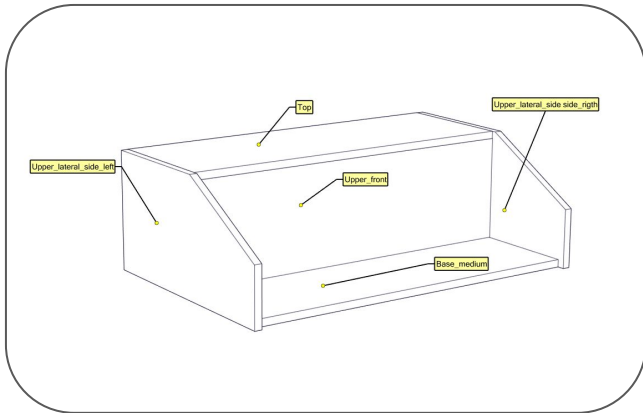
Assembly foot base



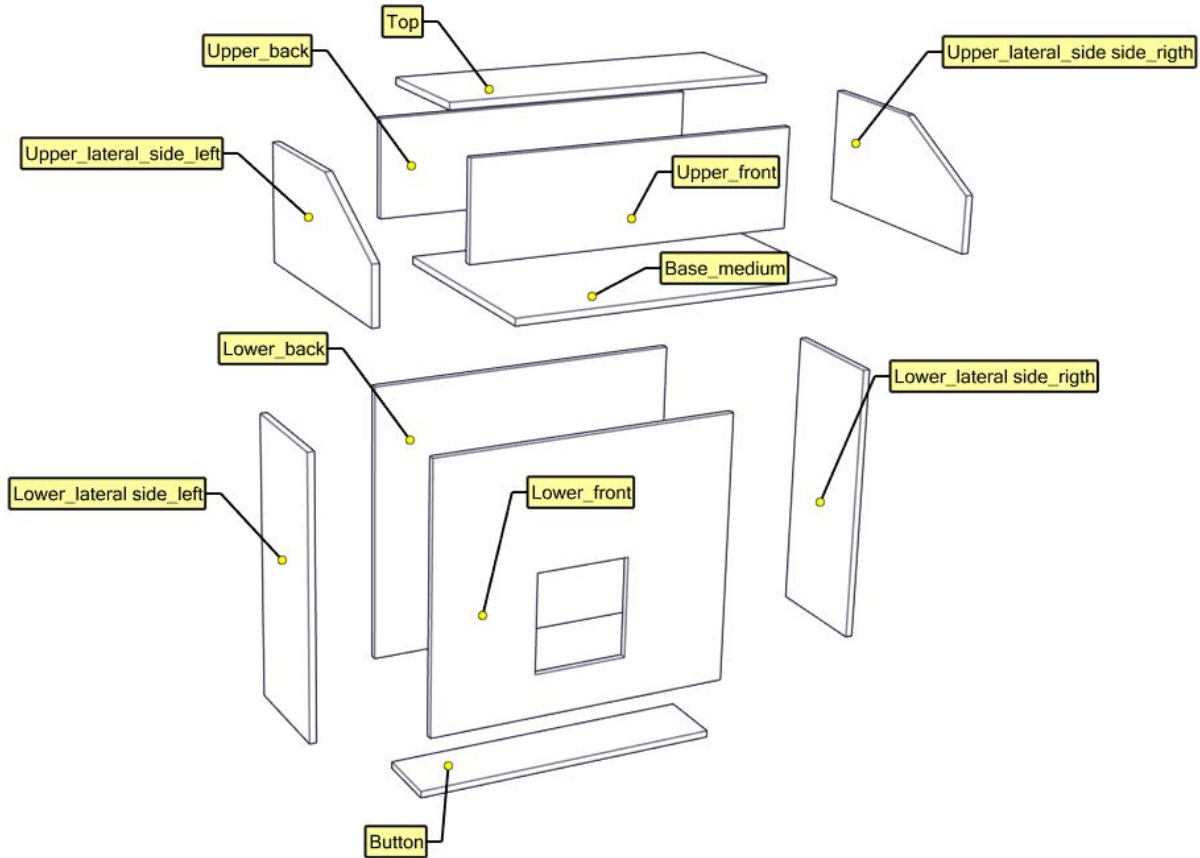
Assembly head



Assembly head

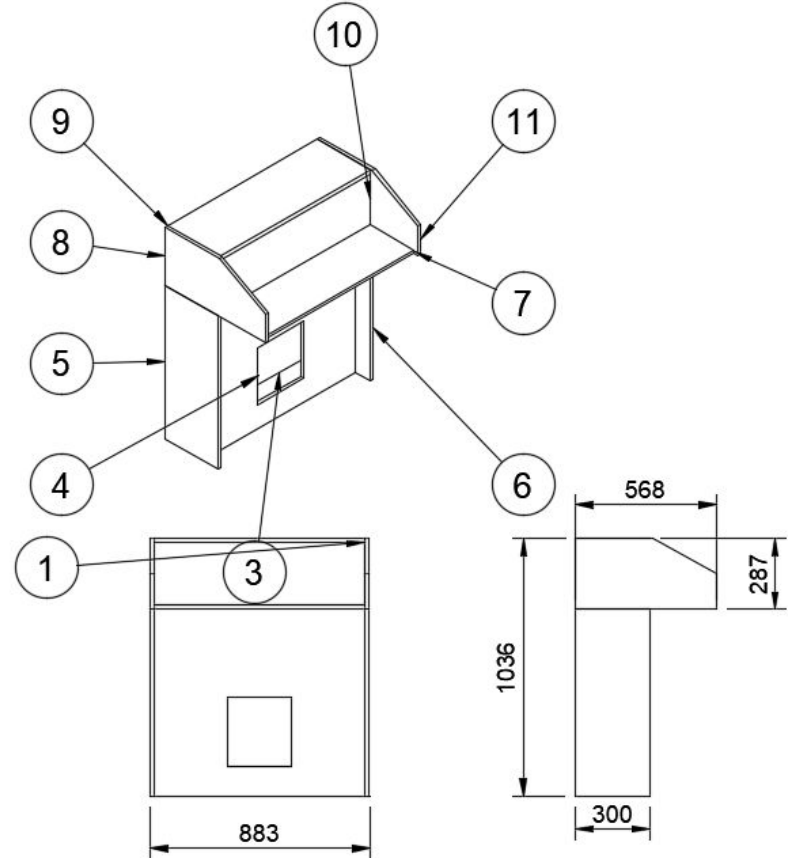


Exploded views



Cut list

Parts List				
Item	Qty	Part Number	Description	Material
1	1	Upper_back	850mm x 251mm	Wood 18mm
2	1	Lower_back	850mm x 750mm	Wood 18mm
3	1	Bottom	850mm x 182mm	Wood 18mm
4	1	Lower_front	850mm x 750mm	Wood 18mm
5	1	Lower_lateral side_left	750mm x 300mm	Wood 18mm
6	1	Lower_lateral side_righ	750mm x 300mm	Wood 18mm
7	1	Base_medium	850mm x 550mm	Wood 18mm
8	1	Upper_lateral_side _left	568mm x 286mm	Wood 18mm
9	1	Top	850mm x 300mm	Wood 18mm
10	1	Upper_front	850mm x 250mm	Wood 18mm
11	1	Upper_lateral_side side_righ	568mm x 286mm	Wood 18mm



OPENPIPES.ORG